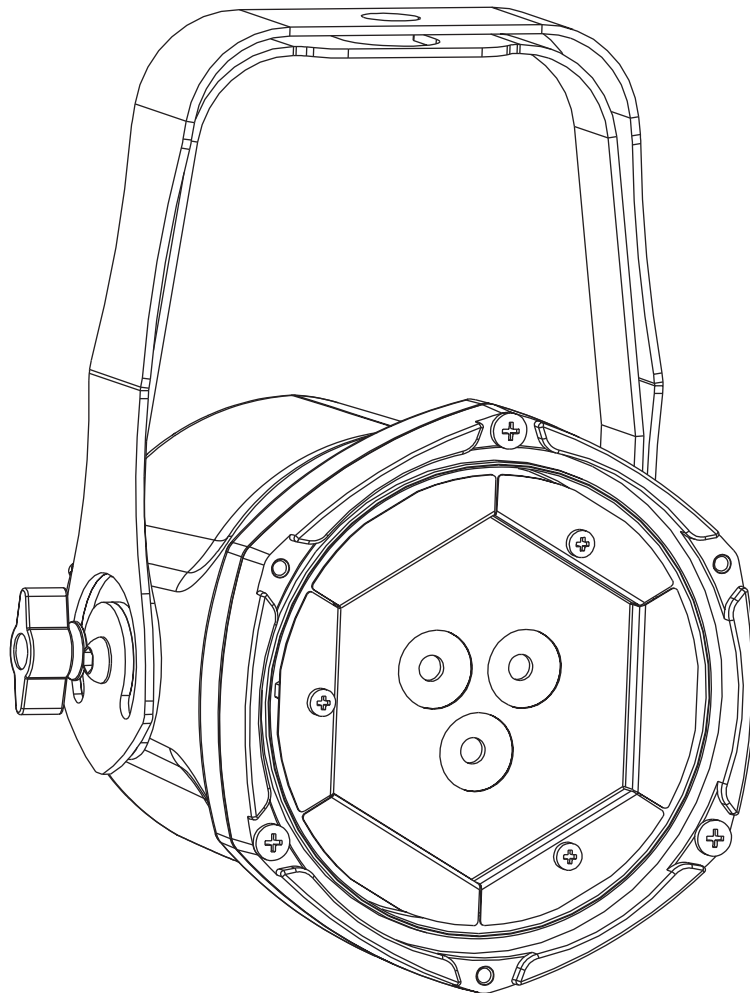


# *Punto Led*



**manuale di istruzioni  
instructions manual**

**Version 1.0**

 **coemar**  
LIGHT EMOTION

# Punto Led

numero di serie/serial number

data di acquisto/date of purchase

fornitore/retailer

indirizzo/address

cap/città/suburb

provincia/capital city

stato/state

tel./fax/

Prendete nota, nello spazio apposito, dei dati relativi al modello e al rivenditore del vostro **Punto LED**: questi dati ci permetteranno di assistervi con la massima rapidità e precisione.

*Please note in the space provided above the relative service information of the model and the retailer from whom you purchased your **Punto LED**: this information will assist us in providing spare parts, repairs or in answering any technical enquiries with the utmost speed and accuracy.*

**ATTENZIONE:** la sicurezza dell'apparecchio è garantita solo con l'uso appropriato delle presenti istruzioni, pertanto è necessario conservarle.

**WARNING:** the security of the fixture is granted only if these instructions are strictly followed; therefore it is absolutely necessary to keep this manual.





# Index

<b>1. Packaging and transportation</b>	Pag. 6
1.1. Packaging	" 6
1.2. Transportation	" 6
<b>2. General information</b>	Pag. 6
2.1. Important safety information	" 6
2.2. Warranty conditions	" 6
2.3. CE Certification	" 6
<b>3. Product specifications</b>	Pag. 7
3.1. Technical characteristics	" 7
3.2. Dimensions	" 7
3.3. Projector components	" 7
<b>4. Installation</b>	Pag. 8
4.1. Mechanical installation	" 8
4.2. Attaching a safety chain	" 9
4.3. Adjusting beam direction	" 9
4.4. Opening and closing up the projector	" 10
4.5. Adjusting the beam angle	" 10
<b>5. RegoBox Power functions</b>	Pag. 11
5.1. Connecting Punto LED to RegoBox Power	" 11
<b>6. Maintenance</b>	Pag. 12
6.1. Periodic maintenance	" 12
<b>7. Spare parts</b>	Pag. 12
<b>8. Frequently asked questions</b>	Pag. 12

## English

Congratulations on having purchased a **Coemar** product. You have assured yourself of a fixture of the highest quality, both in componentry and in the technology used. We renew our invitation to you to complete the service information on the previous page, to expedite any request for service information or spares (in case of problems encountered either during, or subsequent to, installation). This information will assist in providing prompt and accurate advice from your **Coemar** service centre..

## 1. Packaging and transportation

Following the instructions and procedures outlined in this manual will ensure the maximum efficiency of this product for years to come.

### 1.1. Packaging

Open the packaging and ensure that no part of the equipment has suffered damage in transit. In case of damage to the equipment, contact your carrier immediately by telephone or fax, following this with formal notification in writing.

#### Packing list

Ensure the packaging contains:

- 1 **Punto LED**
- 1 **Instruction manual**

### 1.2. Transportation

The **Punto LED** should be transported in either its original packaging or in an appropriate flight case.

## 2. General information

### 2.1. Important safety information

#### Fire prevention:

- 1. Never locate the fixture on a flammable surface.
- 2. Minimum distance from flammable materials: 0.5 m.
- 3. Minimum distance from the closest illuminable surface: 0,5 m.

#### Prevention against electric shock:

- 1. Isolate the projector from mains supply prior to performing any function which involves touching the internal of the unit.
- 2. The level of technology inherent in the **Punto LED** requires the use of specialized personnel for all service applications; refer all work to your authorized **Coemar** service centre.
- 3. Never handle the unit with wet hands or in a damp environment.

#### Safety:

- 1. The projector should always be installed with bolts, clamps, and other fixings which are appropriately rated to support the weight of the unit.
- 2. Always use a secondary safety chain of a suitable rating to sustain the weight of the unit in case of the failure of the primary fixing point..
- 3. Never install the fixture in an enclosed area lacking sufficient air flow; the ambient temperature should not exceed 35°C.
- 4. The external surface of the unit, at various points, may exceed 80°C. Never handle the unit until at least 10 minutes have elapsed since the unit was turned off..

#### Protection rating of the body against liquids and solids:

- 1. The fixture is classified ordinary apparatus ; its protection grade against penetration by external agents,solid or liquid, is **IP 20**

### 2.2. Warranty conditions

- 1. The fixture is guaranteed for a period of 12 months against manufacturing faults and faulty materials.
- 2. Faults due to incorrect operation or operation in an inappropriate manner are not covered by the warranty.
- 3. The warranty is immediately void if the fixture has been operated or serviced by unqualified or unauthorised personnel.
- 4. The warranty does not include fixture replacement.
- 5. The model and serial numbers must be supplied for any warranty claims or advice from our authorised service personnel.

### 2.3. CE Certification



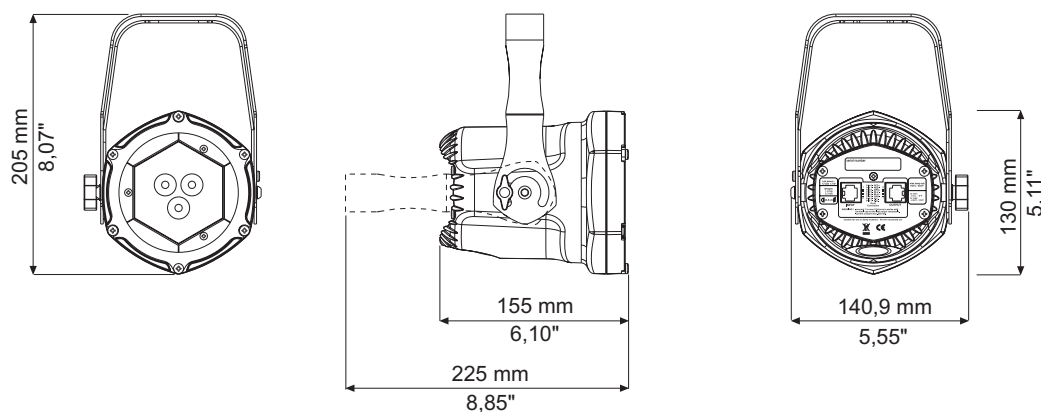
- 1. The fixture satisfies the essential requirements of the directive EMC 89/336/EEC, 93/68/EEC, BT73/23/EEC.
- 2. The fixture is in accordance with the standard EN 50419 (RoHS) and satisfies the requirements of the directive 2002/96/EC (WEEE).

### 3. Product specifications

#### 3.1. Technical characteristics

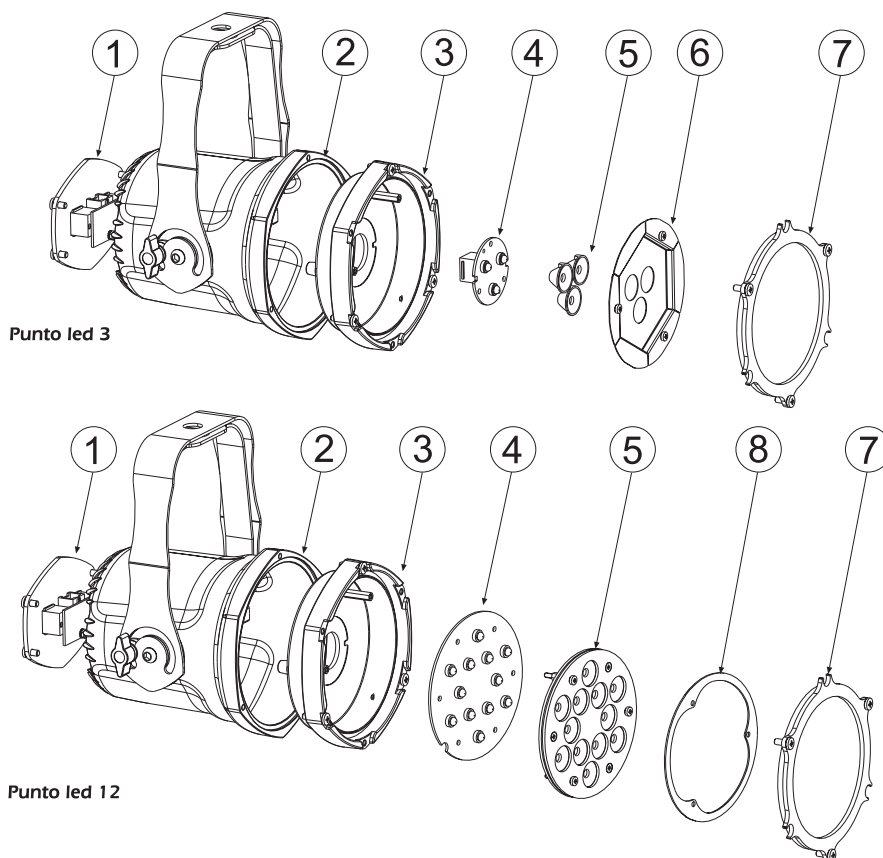
<b>Power:</b>	48V DC
<b>Nominal current:</b>	max.350 mA constant current
<b>Led power:</b>	3 Led x 1W (Punto led 3) 12 Led x 1W (Punto led 12)
<b>Minimum ambient temperature:</b>	-15°C / 5°F
<b>Maximum ambient temperature:</b>	35°C / 95°F
<b>Weight:</b>	1,3 Kg / 2,8 lbs (Punto Led 3 - cod. CO9190) 1,5 Kg / 3,3 lbs (Punto Led 120 - cod. CO9192)

#### 3.2. Dimensions



#### 3.3. Projector components

The main components of the **Punto LED** are shown in the diagram below.



#### Components description

1. Rear panel
2. Projector body
3. Head group
4. Leds group
5. Lens group
6. Reflector
7. Fixing frame
8. Lens holder

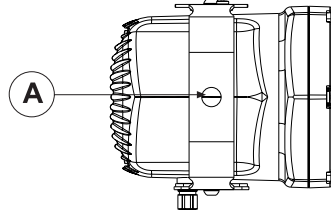
## 4. Installation

### 4.1. Mechanical installation

**Punto LED** may be floor mounted or hung from an appropriate structure in any position.

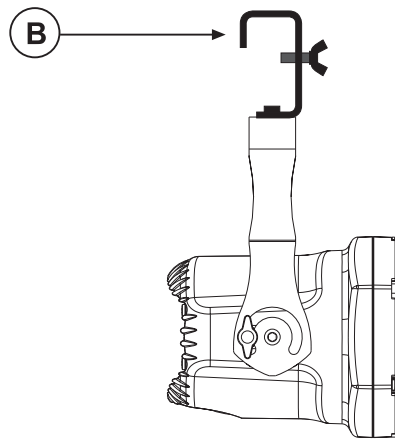
#### Permanent installation

Use the three holes "A" on the yoke of the **Punto LED** for robust, permanent installation.



#### Mobile installations

If hanging the fixture from a lighting truss or similar, we recommend the use of appropriate clamps "B", locked to the yoke by the holes "A" provided, as shown in the following diagram.



### **ATTENTION!!**

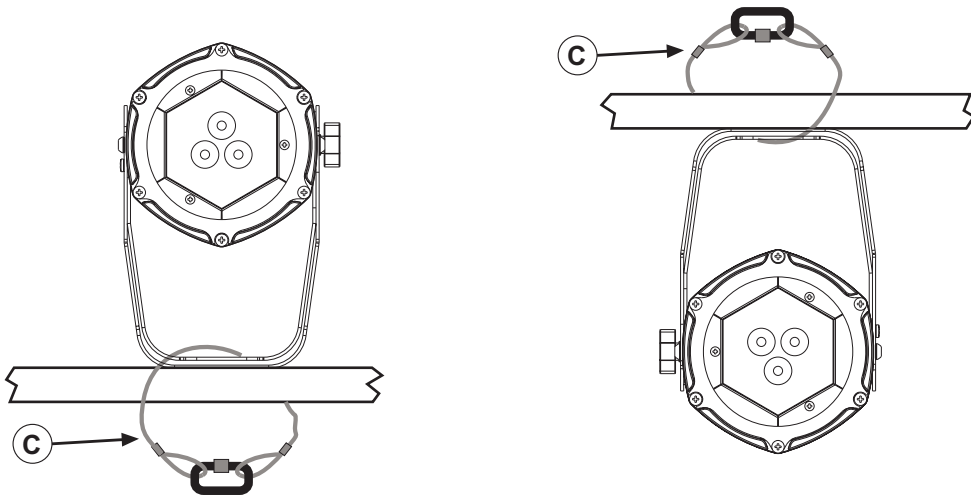
**Always ensure that your support structure and fixings (bolts, clamps, etc.) are rated to support the weight of the fixture.**

Never install the fixture in a position accessible to personnel who may ignore or be unaware of the safety directions mentioned in this manual.



### 4.2. Safety chain

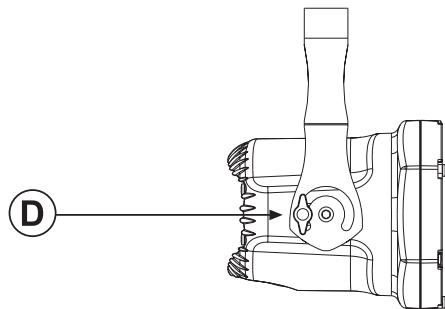
When hanging the **Punto LED** we recommend the use of a safety chain "C" locked to the yoke and to the suspension device. The safety chain should be either a metal wire rope or a metal chain, both appropriately rated for the purpose.



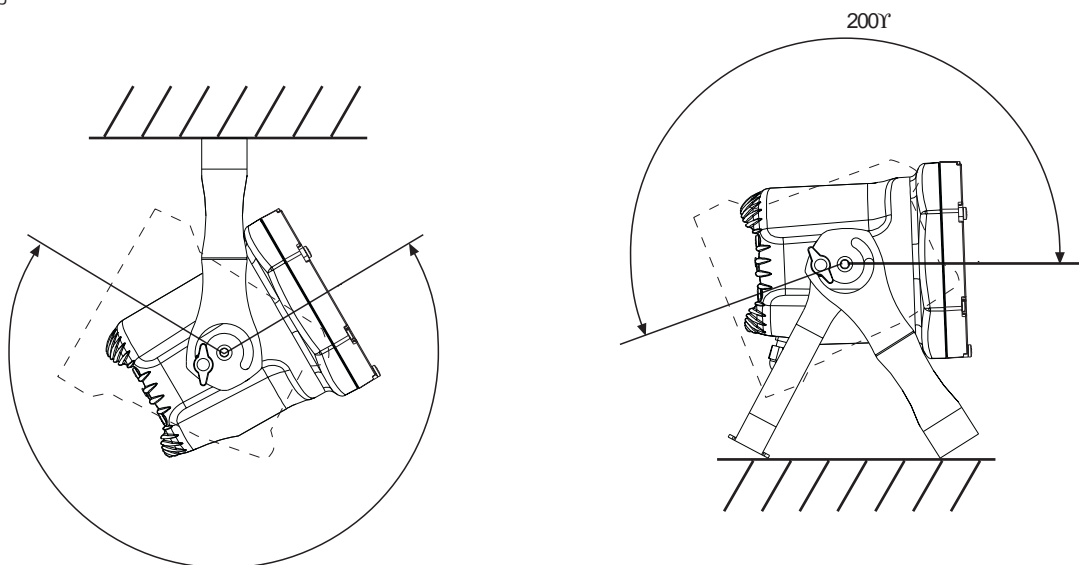
### 4.3. Adjusting beam direction

The **Punto LED** can be tilted to adjust the beam output. To perform this adjustment, follow the instructions set out below.

1. Loosen the handle "D" located on the side of the projector, thus allowing the inclination to be changed.



2. Adjust the projector's tilt.



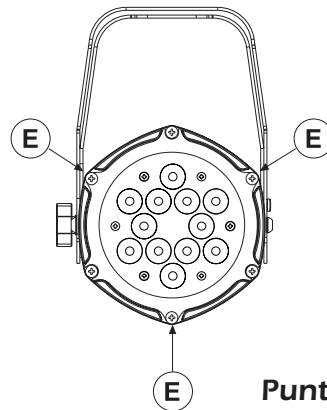
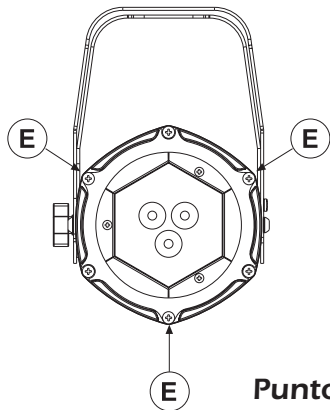
3. Refasten the handle "D" on the side of the projector.

## English

### 4.4. Opening and closing up the projector

The various procedures which follow can only be performed with the projector housing removed.

To gain access to the internal of the projector use a suitable screwdriver to remove the 3 screws "E" which fix the front frame and remove it.



You should now have complete access to the internal of the projector and can proceed to carry out the procedures described below.

#### **ATTENTION!!**

**Unplug cables prior to opening up the projector..**

To close up the projector, replace the housing and re-fix the 3 screws previously removed.

### 4.5. Adjusting the beam angle

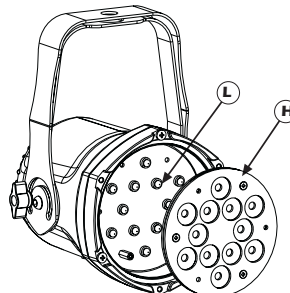
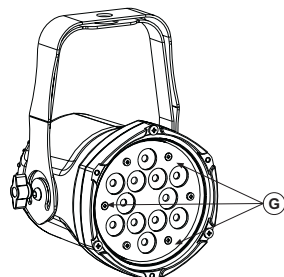
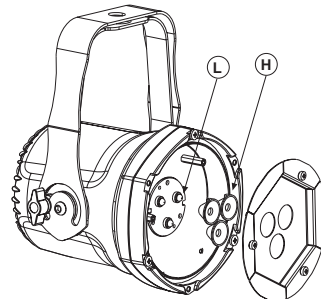
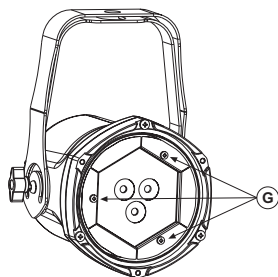
The standard optical group, fitted on **Punto Led**, is composed by a group of lenses that gives 12° beam angle.

For both versions there are available other optional different optical groups for each model: with 30° beam angle and a "flood" reflector (**Punto LED 12**)

Item	Punto LED 3	Punto LED 12
Lens group 12°	CO9194/1	CO9186/1
Lens group 30°	CO9194	CO9186
Flood reflector	-	CO9187

In order to change the lens group, follow these instructions:

1. Open the unit as shown on paragraph 4.4 **Open and close the unit**
2. Remove the 3 screws "G".
3. Replace the lenses "L" and ensure that the led of "H" disc fit perfectly in the lenses seats



6. Tighten the 3 "G" fixing screws
7. Close the unit

## 5. Regobox Power functions

In order to work **Punto Led** must be powered and driven by RegoBox Power through standard RJ45 cables.

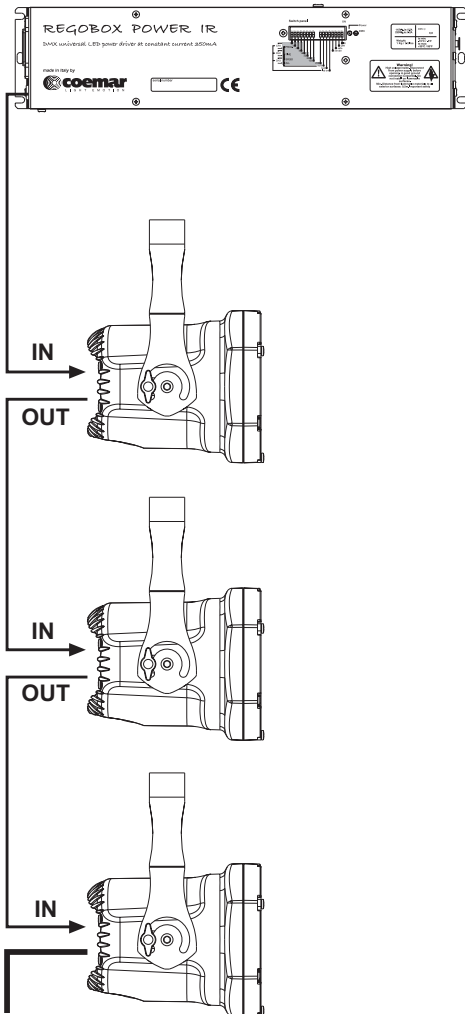
### 5.1. Connecting Punto Led to RegoBox Power

Control and power are sent via standard RJ45 cable. Connection is serial, utilizing the RJ45 sockets located on the rear panel of the **Punto LED**.

#### Punto Led 12

connect 1 to max. 3 fixtures in series.

connettere in serie non più di 3 apparecchi.



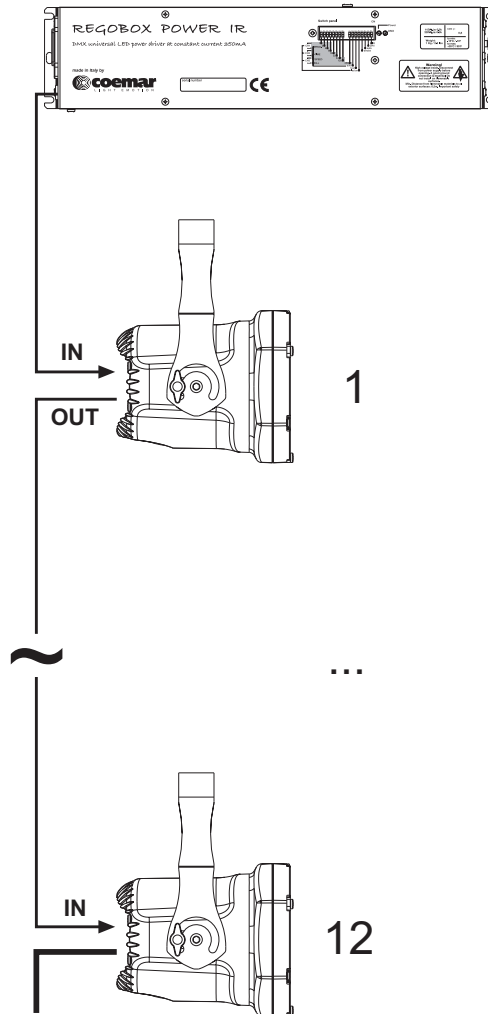
Terminal cap at the end of the series

Terminale di fine serie

#### Punto Led 3

connect 1 to max. 12 fixtures in series.

connettere in serie non più di 12 apparecchi.

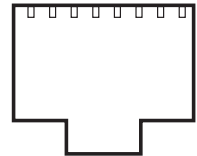


Terminal cap at the end of the series

Terminale di fine serie

#### RJ 45 Pin-out

1 2 3 4 5 6 7 8



Pin 1= N.C.  
Pin 2= N.C.  
Pin 3= Green -  
Pin 4= Blue +  
Pin 5= Blue -  
Pin 6= Green +  
Pin 7= Red -  
Pin 8= Red +

### ATTENTION!!

These are the correct configurations for the Punto Led in order to work in series:

-Punto LED 3 - MAX. 12 fixtures in series

-Punto LED 12 - MAX 3 fixtures in series

-ALL THE FIXTURES OF THE SERIES MUST BE THE SAME TYPE OF PUNTO LED.

-ALWAYS END THE SERIES WITH TERMINAL CAP (cod. CO9195).

## 6. Maintenance

While every possible precaution has been taken to ensure the trouble-free operation of your **Punto LED**, the following periodic maintenance is highly recommended. We recommend to remove all the cables from the unit prior to any maintenance procedure taking place.

### ATTENTION!!

**Always remove cables prior to opening up the fixture!**

### 6.1. Periodic maintenance

#### Mechanicals

Check that the unit is not mechanically damaged. Regularly clean the glass by using a soft cloth with a specific cleaning liquid and, if necessary, replace the damaged parts.

#### Electrical components

Check all electrical components for correct earthing, oxidation and proper attachment of all connectors, cleaning and refastening if necessary.

## 7. Spare parts

All the components of the **Punto LED** are available as spare parts from your **Coemar service centre**.

Accurate description of the fixture, model number, and type will assist us in providing for your requirements in an efficient and effective manner.

## 8. Frequently asked questions

The diagram below indicates some possible problems and solutions if they should occur.

Problem	Possible solution
<b>Punto LED</b> won't turn on.	<ul style="list-style-type: none"><li>-Check that the "INPUT" plug is correctly inserted.</li><li>-Check for interruptions ( broken or defective cables) in the chain.</li><li>-Check that the supplying device is working properly.</li><li>-Ensure that the series is made of MAX 12 Punto LED 3 or MAX 3 Punto LED 12.</li><li>-Check that at the end of the series connection there is a terminal cap in the "OUTPUT" plug.</li></ul>





**Coemar s.p.a.**

via Inghilterra 2/A - 46042 Castel Goffredo (Mantova) Italy  
ph. +39 0376/77521 - fax +39 0376/780657  
info@coemar.com

**Coemar** si riserva il diritto di apportare modifiche senza preavviso.  
**Coemar** reserves the right to effect modifications without notification