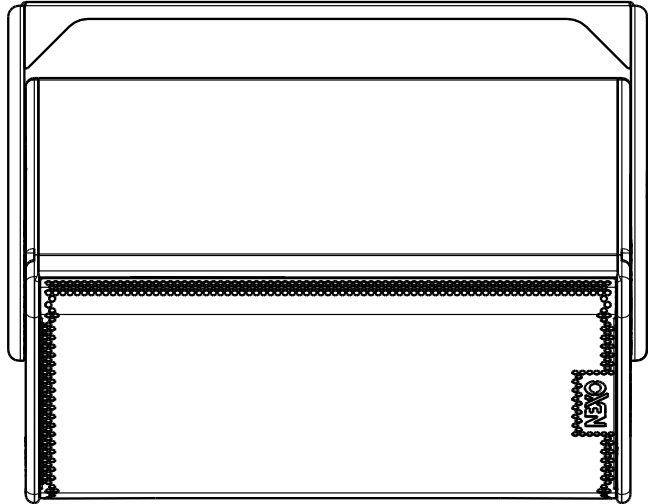
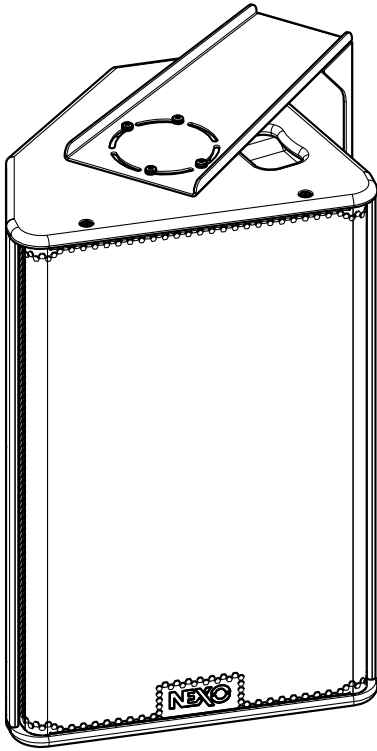
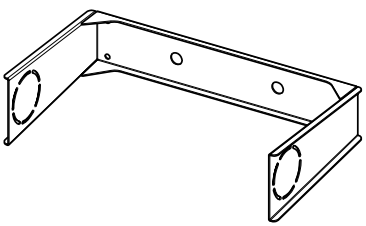
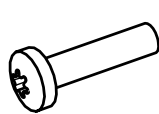
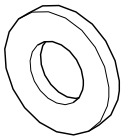


Bracket « U » for PS15 R2 / GEO S12

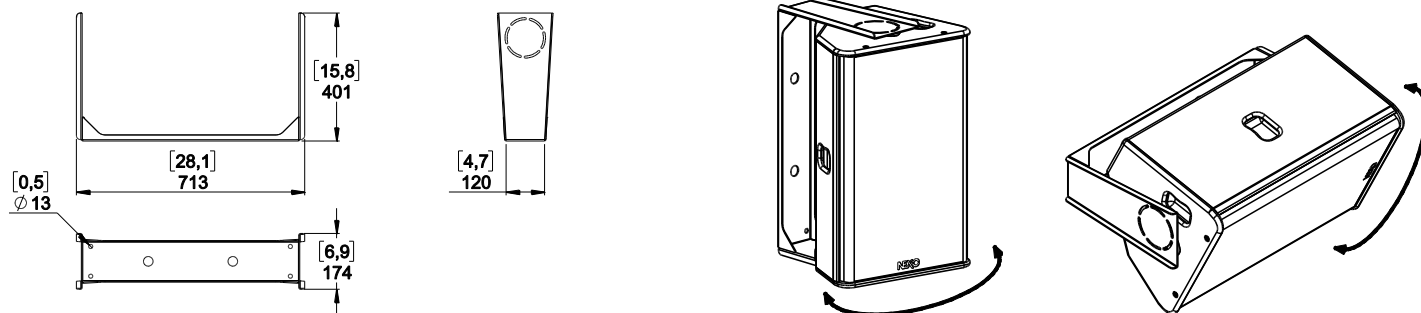


Contents:

<p>X1</p> 	<p>X8</p> 	<p>X8</p> 
---	---	---

Weight: 6 kg / 13 lb

Dimensions:



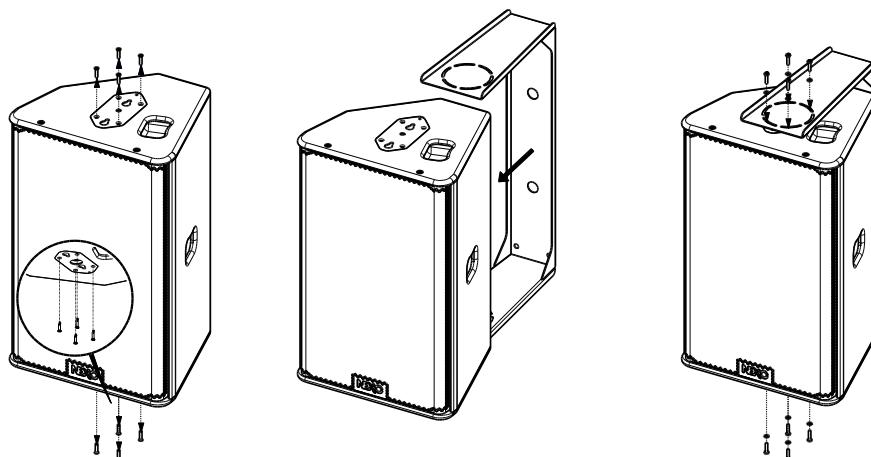
Use:

IMPORTANT

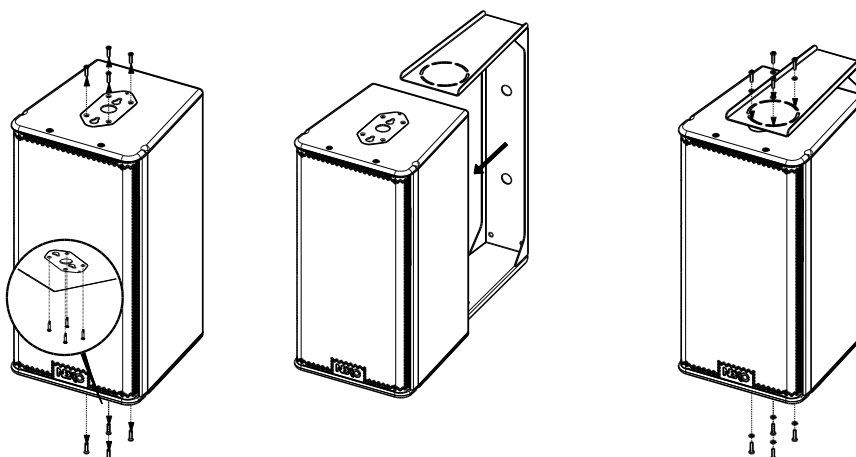
Ensure that the surface - wall or ceiling - is strong enough to hold 4 times cabinet weight and that the screws 12mm diameter and corresponding plugs required to fix the "U" bracket on the wall or under the ceiling are properly dimensioned.

- 12mm diameter screws (not provided) are required to secure the "U" Bracket on the wall or ceiling.
- Remove the 4 screws holding connector plate on both side of cabinet
- Position the cabinet inside the "U" Bracket to desired angle; "U" Bracket oblong holes must be properly aligned with panels holes
- Use the screws and washer provided to connect "U" bracket to cabinet

PS15 R2



GEO S12



WARNING: Screws must be secured using Loctite 243™

- NEXO cannot accept responsibility for accidents caused by any factor other than defects in this product itself.
- Please check the web site nexo-sa.com for the latest update.

NEXO

nexo-sa.com
ZA du Pre de la Dame Jeanne
60128 PLAILLY - France

- Read this document before using.
- Keep this document.
- Observe all warnings and cautions.

