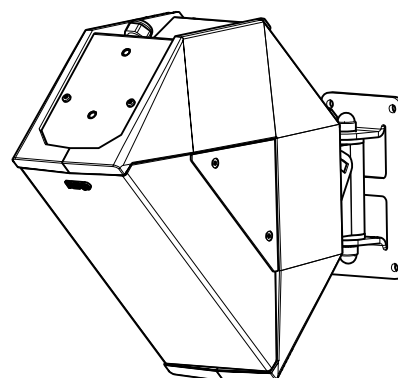
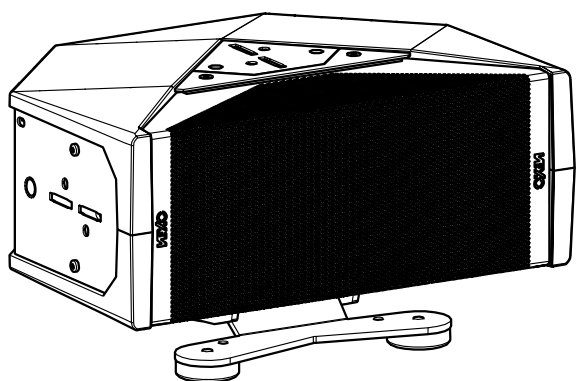


ID24 Series

ID24t – ID24i



1 CONTENTS

1	CONTENTS	2
2	WARNINGS.....	3
3	ID24 - ACCESSORIES	4
4	DESCRIPTION	5
5	HORN ROTATION	6
6	CROSSOVER FREQUENCY.....	6
7	ARRAY EQ	6
8	TECHNICAL SPECIFICATIONS.....	7
9	USER NOTES	8

2 WARNINGS

PRECAUTIONS

Do not open the speaker, do not try to disassemble it neither to modify it in any way. The system doesn't include any user-repairable part. If the system seems to be malfunctioning or damaged, stop using it at once and have it repaired by a NEXO-accredited technician.

Do not expose the system directly to the rain, do not immerse it into fluids, do not place objects filled with liquid on the system. If a liquid gets into the system, please have it inspected by a NEXO-accredited technician.

SAFETY INFORMATIONS

Read this manual before using the speaker.

Keep this manual available for further reference.

Observe all warnings and cautions.

Please check the NEXO Web site www.nexo-sa.com to get the most up-to-date version of this manual.

Ensure you are aware of the safety rules applying to rigging, stacking or installing on tripod or speaker stand. Failure to observe these rules may expose persons to potential wounds or even death.

Only use the system with accessories specified by NEXO.

Please always consult a NEXO-accredited technician if the installation needs architectural works and observe following precautions:

Mounting Precautions:

- Please select screws and mounting location supporting the system weight
- Do not hang the system by its handles.
- Do not expose the system to excessive dust, vibrations, to extreme cold or hot temperatures, to reduce the risk of damaging components.
- Do not place the system in an unstable position: it could fall accidentally.
- If the system is used on a tripod, please ensure the tripod's specifications are adapted and that it's height does not exceed 1.40m/55". Do not move the tripod with the system in position.

Connection and Powering Precautions:

- Unplug connected cables before moving the system.
- Power off the system before connecting the system.
- When switching on the installation, the amplifier must be powered last; when switching the installation off, shut off the amplifier first.
- If you work by cold temperatures, progressively raise the level to nominal value during the first minutes of use, to allow the system components to stabilize.

Please check regularly the system condition.

HIGH ACOUSTIC PRESSURE LEVELS

Exposure to very high sound pressure levels may cause permanent hearing losses. Degrees of hearing losses may be different from one person to another, but almost everybody will be affected if exposed to high sound pressure levels during a long period of time. The OSHA (Occupational Safety and Health Administration) American Agency specified the following maximal exposures:

Number of Hours	Sound Pressure Level (dBA), Slow Response
8	90
6	92
4	95
3	97
2	100
1 ½	102
1	105
½	110
¼ or less	115

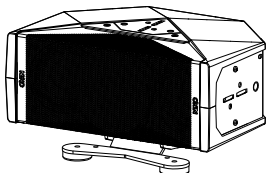
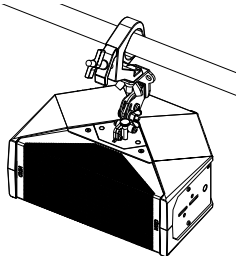
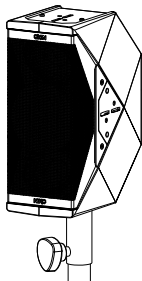
WASTE OF ELECTRIC OR ELECTRONIC EQUIPMENT



This symbol on the product or its packaging indicates that this product must not be treated as household waste. Instead, it is your responsibility to hand it over to a designated collection point for the recycling of waste electrical and electronic equipment. By ensuring your waste equipment is recycled, you will help prevent potential negative consequences for the environment and human health, which could appear if this product was not recycled. Recycling helps spare natural resources. For more information about the recycling of this product, please contact your local city office, your household waste disposal service or your reseller.

3 ID24 – ACCESSORIES

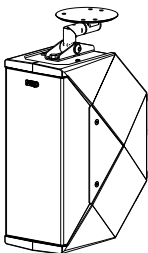
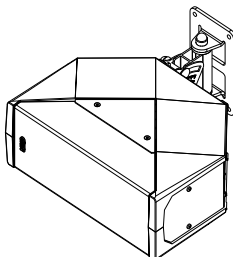
ID24t

<p>IDT-GSTK</p> 	<p>IDT-TCBRK2538 / TCBRK3851 / QRA</p> 	<p>IDT-TVP</p> 
---	--	--

Rigging emplacements :

- 5 prints for IDT-QRA / IDT-TCBRK
- Rear panel plate for IDT-GSTK
- M10 threaded insert for IDT-TVP

ID24i

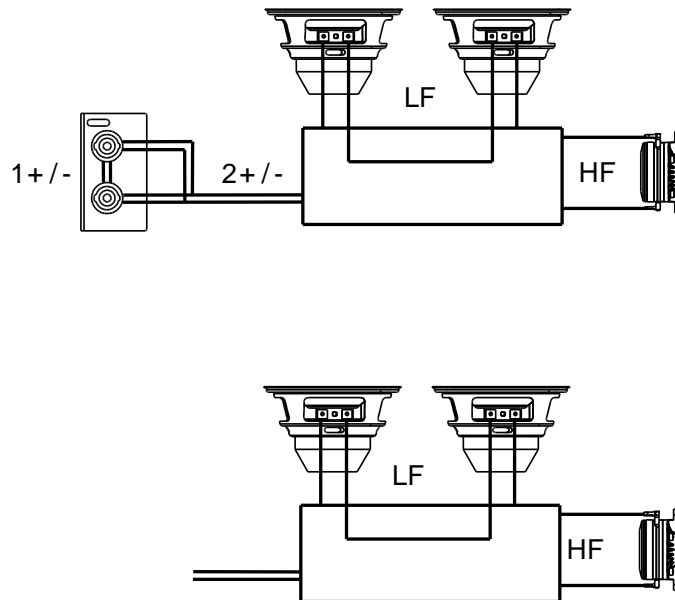
<p>IDI-WB02</p> 	<p>IDI-WM01</p> 
--	--

Rigging emplacements :

- 6 x M6 threaded inserts on the speaker belt for mounting accessories.

4 DESCRIPTION

- The ID24 is a compact full-range 2-way speaker, equipped with two 4" speakers (in a V-shape arrangement) and a rotatable HF horn. The horn can be rotated easily, without tools, to choose the HF covering angle.
- ID24 HF Dispersion:
 - o 60° - 60° : ID.24-I6060 / ID.24-I6060PW / ID.24T6060 / ID.24-C
 - o 90° - 40° : ID.24-I9040 / ID.24-I9040PW / ID.24T9040 / ID.24-C
 - o 120° - 60° : ID.24-I12060 / ID.24-I12060PW / ID.24T12060 / ID.24-C
 - o 120° - 40° : ID.24-I12040 / ID.24-I12040PW / ID.24T12040 / ID.24-C
- The ID24 can be used alone or with a IDS110 or IDS210 subwoofer.
 - o 1x ID24 pour 1x IDS110
 - o 2x ID24 pour 1x IDS210
- Versions :
 - o ID24t : for « Touring » applications.
 - o ID24i : for fixed installations.
 - o ID24c : A la carte.
- Connections :
 - o ID24t: The speaker is equipped with two Speakon NL4 connectors, with parallel-wired pins – the ID24t uses the 2+/- pins. The 1+/- pins are used by the subs.
 - o ID24i: The speaker is supplied with a fixed cable (HO7ZZ-F), 2x1.5mm² section, length 2m.

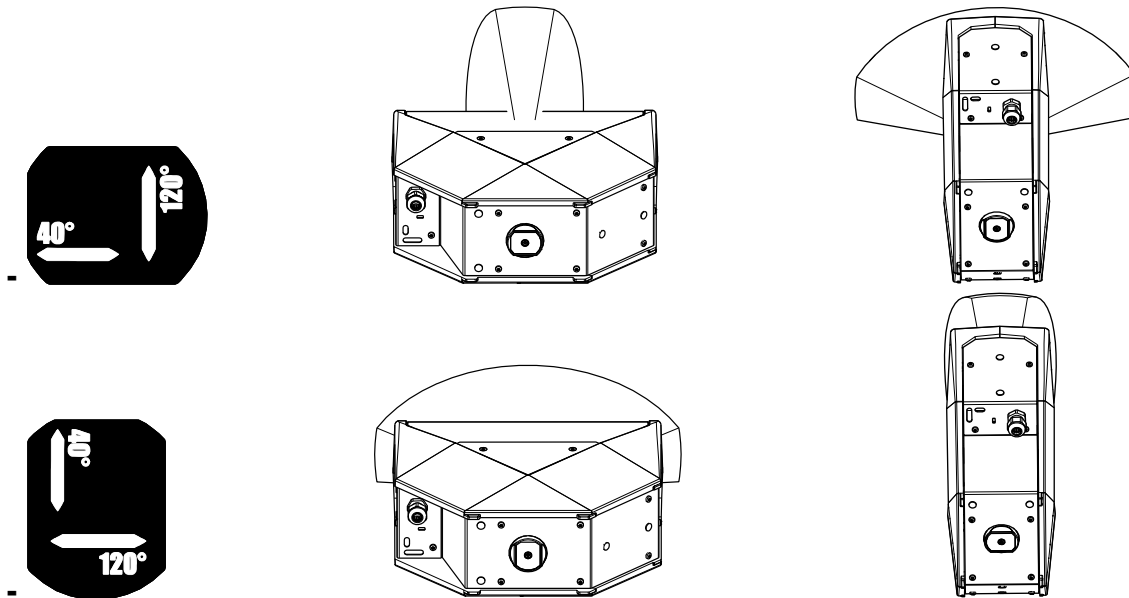


- Amplification :
 - o The ID24 speakers MUST be used with a NEXO processor to handle EQ, phase alignment, crossover and excursion/thermal protection for the system loudspeakers. There are two NEXO processor series supporting the ID24 speakers: NXAMP (4-channel) amplified processors and DTD processors DTD (stereo + sub). DTD processors ensure optimal performances when used with DTDAMP power amplifiers.
 - o The following table shows the number of ID24 speakers and IDS110 / IDS210 subwoofers usable with each solution.

	NXAMP 4x1	NXAMP 4x4	DTD + DTDAMP 4x0.7	DTD + DTDAMP 4x1.3
ID24	1 to 4 per channel	1 to 8 per channel	1 to 3 per channel	1 to 4 per channel
IDS110	1 or 2 per channel	1 or 2 per channel	1 per channel	1 per channel
IDS210	1 per channel	1 per channel		

5 HORN ROTATION

- The ID24 speaker can be used in horizontal or vertical position.
- The horn can be rotated without tools: push the button on the ID24's rear panel and turn it by 90°.
- Different mounting possibilities and horn rotation allow to deal with every request (e.g. with a 120°x40° horn, below).



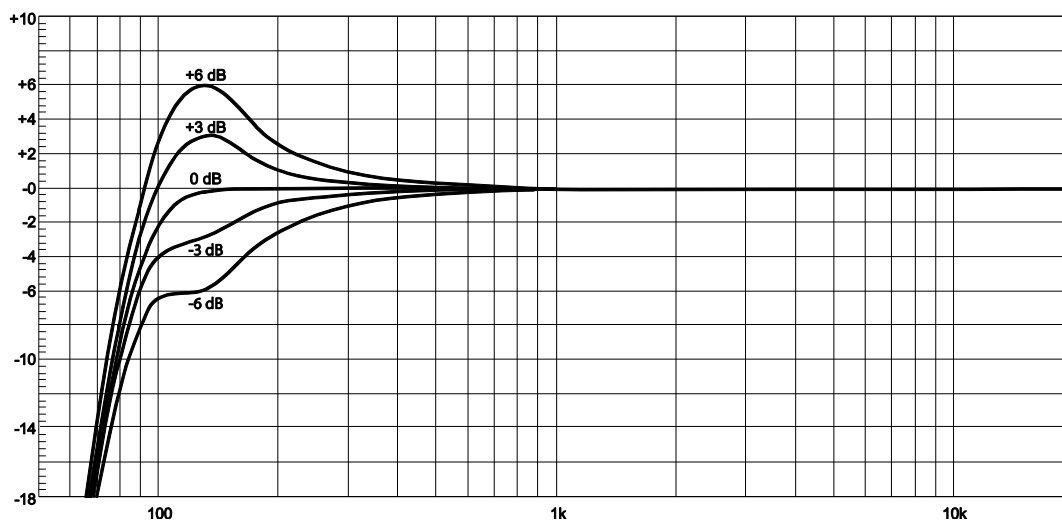
6 CROSSOVER FREQUENCY

Please choose the crossover frequency value according to application:

- 95Hz Full range application.
- 120Hz Use with a NEXO subwoofer, e.g. IDS110 or IDS210.
- 150Hz Use as « front fill » on stage, complementing a main system.

7 ARRAY EQ

The ArrayEQ allows to adjust the system frequency response in its lower range (see curves below, with different ArrayEQ values):



8 TECHNICAL SPECIFICATIONS

ID24 WITH NEXO ELECTRONICS

Model	ID24i	ID24t	ID24c
Frequency Range	95Hz – 20kHz (+/- 6dB)		
Sensitivity (1W / 1m)	100dB SPL Nominal		
Peak SPL Level (1m)	126dB Peak		
HF Dispersion (according to horns)	60°x60° - 90°x40° - 120°x40° - 120°x60°		
Nominal Impedance	16Ω		
Recommended Amplification per box	200 to 500W		

SPECIFICATIONS

Model	ID24i	ID24t	ID24c
Components	LF: 2x4" – Long excursion– Neodymium Magnet HF: 1" driver with ½" throat – Neodymium Magnet		
Material	Water-resistant Polyurethane		
Finition	White: Structural paint Black : Raw sandblasted polyurethane		A la carte
Grid	Stainless steel Acoustical fabric, black or white	Stainless steel Black paint	A la carte
Rigging	6x 6mm threaded inserts	6x prints for quick rigging M10 threaded insert	A la carte, among : 6x Inserts 6mm 6x prints for quick rigging M10 threaded insert
Weight	6 kg – 13 lb		
Dimensions			

Application Notes are available on the NEXO Web site, www.nexo-sa.com

9 USER NOTES

France

Nexo S.A.

Parc d'activité de la Dame Jeanne

F-60128 PLAILLY

Tel: +33 3 44 99 00 70

Fax: +33 3 44 99 00 30

E-mail: info@nexo.fr

www.nexo-sa.com