

STX812M

12" Two-Way Stage Monitor/ Utility Speaker

Professional Series

Key Features:

- ▶ Premium passive loudspeaker system
- ▶ Very high power handling
- ▶ Compact and low-profile for minimal obstruction of audience sight-lines
- ▶ 70° x 70° nominal coverage
- ▶ Bi-amplified or full-range passive operation
- ▶ Pole socket for applications requiring tripod mounting
- ▶ Optional yoke available for truss-mounted or suspended applications
- ▶ Vented Gap Cooled™ woofer for high power capacity
- ▶ 3" diaphragm neodymium magnet compression driver



Shown upright for utility use.



Applications

- ▶ Live performance stage monitoring
- ▶ Speech reinforcement
- ▶ Reinforcement of vocal and acoustic music
- ▶ High-performance satellite speaker for use with subwoofers

The STX812M is a world-class, professional stage monitor. The STX812M uses a JBL 2206H 305 mm (12 in) patented Vented Gap Cooled™ woofer and a 2432H 75 mm (3 in) voice-coil, neodymium compression driver for 800 watts (continuous) power capacity from a monitor with a profile that is only 12 inches above the stage. A 70° x 70° horn provides smooth, even coverage whether the performer is standing right on the speaker or moving upstage.

Bi-amp or full-range passive operation may be selected by a recessed, high-current switch mounted in the handle cup. NL4 connectors are provided on both ends of the speaker to keep cable runs tidy on stage.

The STX812M can also do double duty as a utility speaker. For use on a tripod or over a subwoofer with a 35 mm pole mount is included. If suspension or truss mounting is a requirement, add the optional STX812M-YK yoke bracket. This accessory provides attachment points for a wide range of suspension and truss mounting hardware.

The enclosure is constructed of top quality birch/poplar laminate plywood and coated in JBL's rugged DuraFlex™ finish. The attractive CNC-machined, 14-gauge steel grille wraps around the sides of the enclosure so there are no protruding lips on the front of the box to create acoustical interference. The grilles are internally lined with acoustically transparent foam to provide additional driver protection and give a very professional appearance.

Specifications:

System Type:	12", two-way, bass-reflex, stage-monitor / utility
Frequency Range (-10 dB):	50 Hz – 20 kHz
Frequency Response (±3 dB):	75 Hz – 20 kHz
Coverage Pattern:	70° x 70° nominal (Monitor position)
Crossover Modes:	Bi-amp / passive, externally switchable
Crossover Frequency:	2.2 kHz
Power Rating (Continuous ¹ / Program / Peak):	Passive: 800 W / 1600 W / 3200 W Bi-amp LF: 800 W / 1600 W / 3200 W Bi-amp HF: 75 W / 150 W / 300 W
Maximum SPL ² :	130 dB SPL peak
System Sensitivity (1w @ 1m):	95 dB SPL (passive mode)
LF Driver:	1 x JBL 2206H 305 mm (12 in) Vented Gap Cooled™ woofer
HF Driver:	1 x JBL 2432H 75 mm (3 in) voice coil, neodymium compression driver
Nominal Impedance:	Passive: 8 ohms Bi-amp LF: 8 ohms Bi-amp HF: 8 ohms
Active Tunings:	Designed for Crown amplifiers and dbx DriveRack. Settings available at www.jblpro.com
Enclosure:	Symmetrical stage monitor, 18 mm, 13-ply birch/poplar laminate plywood.
Suspension / Mounting:	35 mm pole socket 2 x M10 fittings for optional STX812M-YK yoke
Transport:	Integrated handle / input cup
Finish:	Black DuraFlex finish
Grille:	Powder coated, black, 14-gauge perforated steel with acoustical transparent charcoal foam backing. Removable JBL badge and punched JBL logo.
Input Connectors:	Neutrik® Speakon® NL-4 (x2), one on each end
Dimensions (H x W x D):	571 mm x 355 mm x 264 mm (22.5 in x 13.4 in x 10.4 in)
Net Weight:	19 kg (42 lb)
Optional Accessories:	STX812M-YK: Suspension / mounting yoke For covers, go to www.jblbags.com

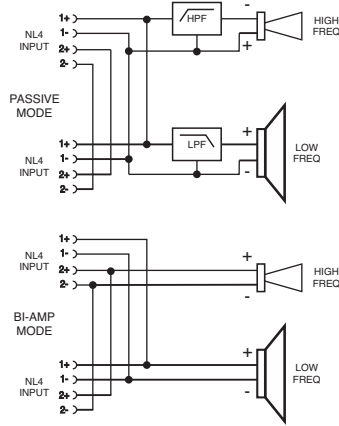
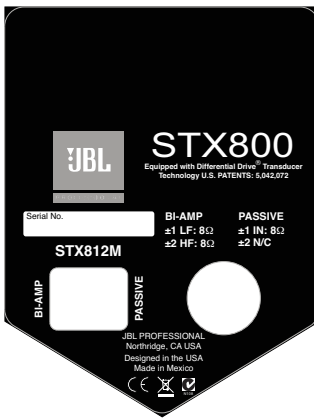
¹IEC filtered noise with 6 dB crest factor, 2 hours duration.

²Calculated based on power rating and sensitivity.

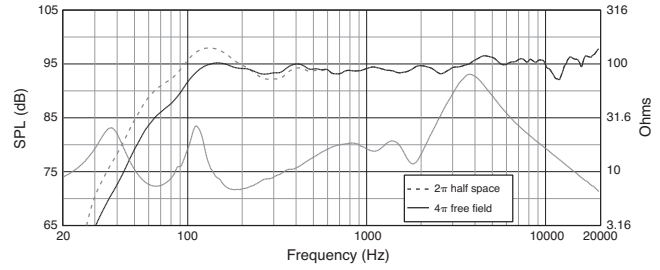
JBL continually engages in research related to product improvement. Some materials, production methods and design refinements are introduced into existing products without notice as a routine expression of that philosophy. For this reason, any current JBL product may differ in some respect from its published description, but will always equal or exceed the original design specifications unless otherwise stated.

STX812M 12" Two-Way Stage Monitor/Utility Speaker

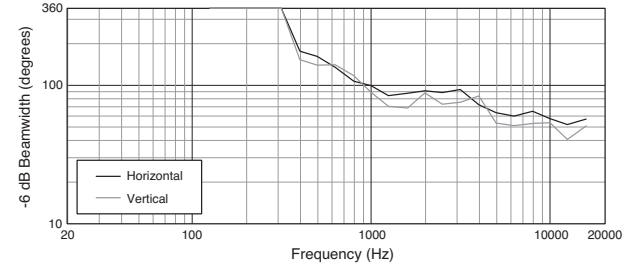
Block Diagram



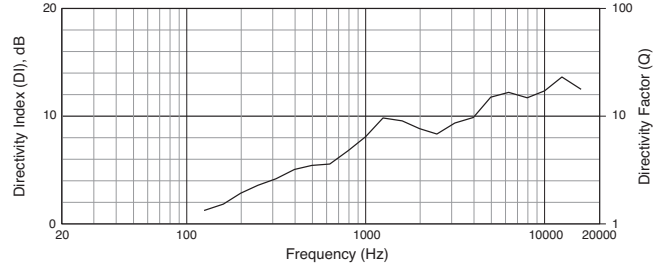
Frequency Response and Impedance



Beamwidth

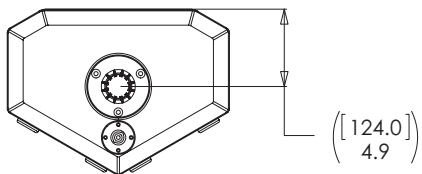
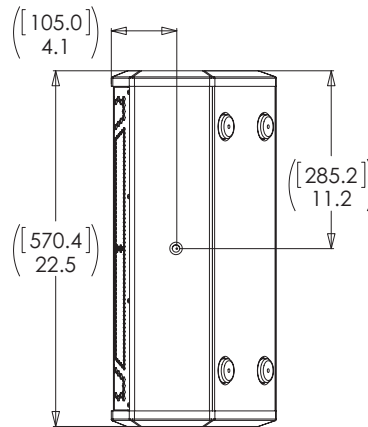
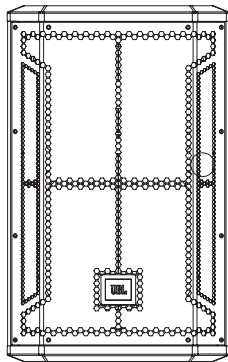
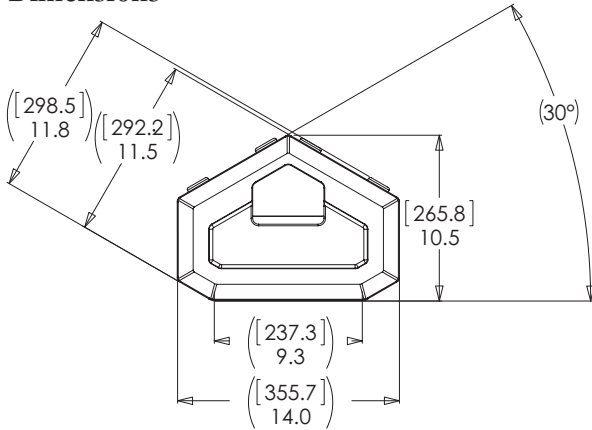


Directivity Index, Q



Measurements obtained in full passive crossover mode with no signal processing. Graphs are from unaltered measured data.

Dimensions



JBL Professional
8500 Balboa Boulevard, P.O. Box 2200
Northridge, California 91329 U.S.A.

© Copyright 2012 JBL Professional
www.jblpro.com

SS STX812M
CRP
06/12 A