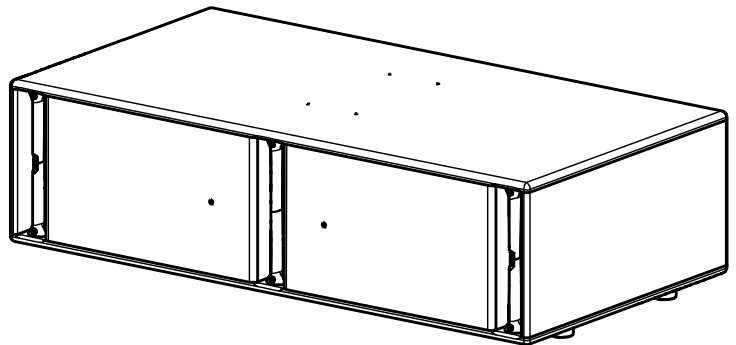
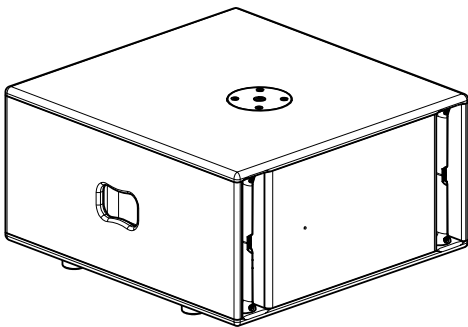


IDS110 - IDS210

IDS110i – IDS110t – IDS210i – IDS210t



1 CONTENTS

1	CONTENTS	2
2	WARNINGS.....	3
3	IDS110 - IDS210 - ACCESSORIES	4
4	DESCRIPTION	5
5	SETTING RANGE	6
6	ARRAY EQ.....	6
7	TECHNICAL SPECIFICATIONS.....	7
8	USER NOTES.....	8

2 WARNINGS

PRECAUTIONS

Do not open the speaker, do not try to disassemble it, neither to modify it in any way. The system doesn't include any user-repairable part. If the system seems to be malfunctioning or damaged, stop using it at once and have it repaired by a NEXO-accredited technician.

Do not expose the system directly to the rain, do not immerse it into fluids, do not place objects filled with liquid on the system. If a liquid gets into the system, please have it inspected by a NEXO-accredited technician.

SAFETY INFORMATIONS

Read this manual before using the speaker.

Keep this manual available for further reference.

Observe all warnings and cautions.

Please check the NEXO Web site, www.nexo-sa.com, to get the most up-to-date version of this manual.

Ensure you are aware of the safety rules applying to rigging, stacking or installing on tripod or speaker stand. Failure to observe these rules may expose persons to potential wounds or even death.

Only use the system with accessories specified by NEXO.

Please always consult a NEXO-accredited technician if the installation needs architectural works and observe following precautions:

Mounting Precautions:

- Please select screws and mounting location supporting the system weight.
- Do not hang the system by its handles.
- Do not expose the system to excessive dust, vibrations, to extreme cold or hot temperatures, to reduce the risk of damaging components.
- Do not place the system in an unstable position: it could fall accidentally.
- If the system is used on a tripod, please ensure the tripod's specifications are adapted and that its height does not exceed 1.40m/55". Do not move the tripod with the system in position.

Connection and Powering Precautions:

- Unplug connected cables before moving the system.
- Power off the system before connecting the system.
- When switching on the installation, the amplifier must be powered last; when switching the installation off, shut off the amplifier first.
- If you work by cold temperatures, progressively raise the level to nominal value during the first minutes of use, to allow the system components to stabilize.

Please check regularly the system condition.

HIGH ACOUSTIC PRESSURE LEVELS

Exposure to very high sound pressure levels may cause permanent hearing losses. Degrees of hearing losses may be different from one person to another, but almost everybody will be affected if exposed to high sound pressure levels during a long period of time. The OSHA (Occupational Safety and Health Administration) American Agency specified the following maximal exposures:

Number of hours	Sound Pressure Level (dBA), Slow Response
8	90
6	92
4	95
3	97
2	100
1 ½	102
1	105
½	110
¼ or less	115

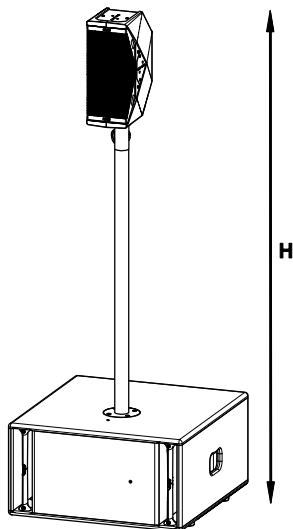
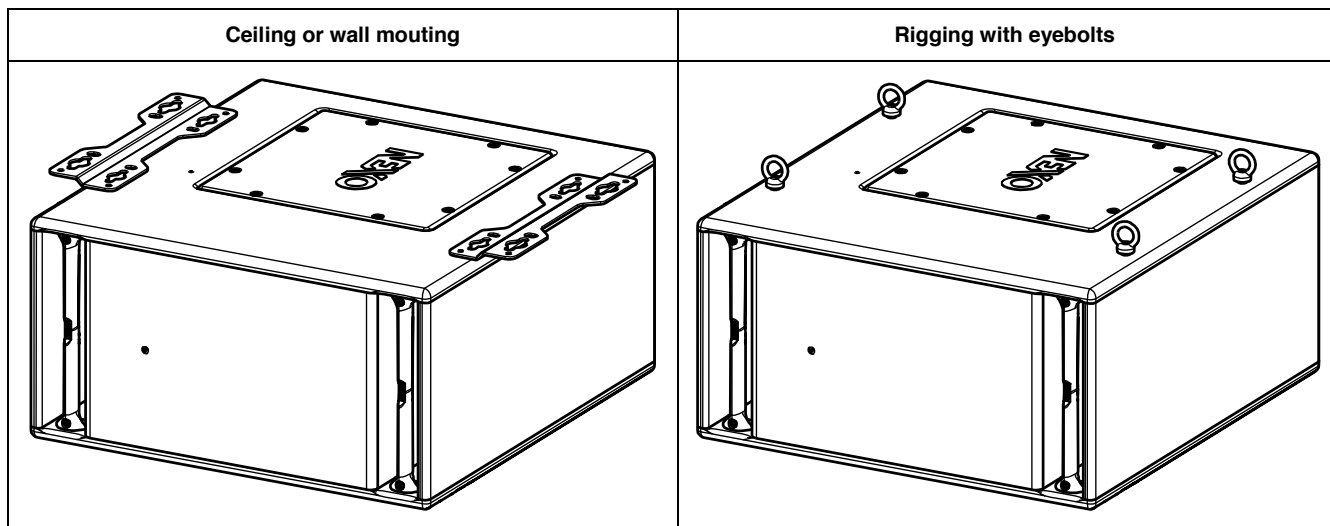
WASTE OF ELECTRIC OR ELECTRONIC EQUIPMENTS



This symbol on the product or its packaging indicates that this product must not be treated as household waste. Instead, it is your responsibility to hand it over to a designated collection point for the recycling of waste electrical and electronic equipment. By ensuring your waste equipment is recycled, you will help prevent potential negative consequences for the environment and human health, which could appear if this product was not recycled. Recycling helps spare natural resources. For more information about the recycling of this product, please contact your local city office, your household waste disposal service or your reseller.

3 IDS110 - IDS210 – ACCESSORIES

- IDT-COVER110: Cover for IDS110t
- IDI-SWM01: Rigging accessories for IDS110i – IDS210i (wall mounting and eyebolts supplied, black version)
- IDI-SWM01PW: Rigging accessories for IDS110i – IDS210i (wall mounting and eyebolts supplied, white version)



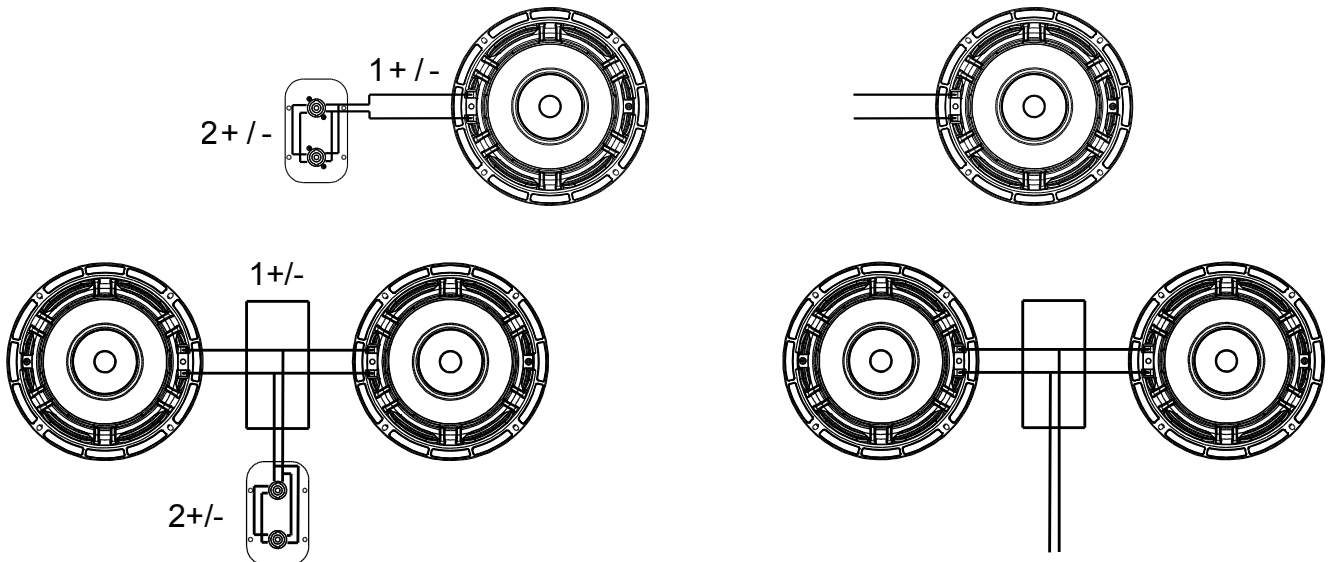
WARNING : Height **H** must not exceed m (6.6 ft).

The M20 base plate located on IDS110t and IDS210t should be used only with speakers like ID24 with the IDT-TVP accessory attached

The distance rod M20 – 35mm is not supplied.

4 DESCRIPTION

- The IDS110 and the IDS210 are two compact and powerful subwoofers, ideally complementing the ID24 speakers. Their low-profile design is elegant, and allows placement in various places (in walls, staircases, under furniture or benches...).
- IDS110 : 1x10" loudspeaker
- IDS210 : 2x10" loudspeakers
- Versions:
 - o IDS110t: for 'Touring' applications; Handles – M20 threaded base
 - o IDS110i: for fixed installation.
 - o IDS210t: for 'Touring' applications; Handles – M20 threaded base
 - o IDS210i: for fixed installation.
- Connectors:
 - o IDS110t: The subwoofer is equipped with two Speakon NL4 connectors, with parallel-wired pins – the IDS110t uses the 1+/1- pins.
 - o IDS110i – IDS210i: The subwoofer is supplied with a fixed cable (HO7ZZ-F), 2 x 2.5mm² section, length 2m.



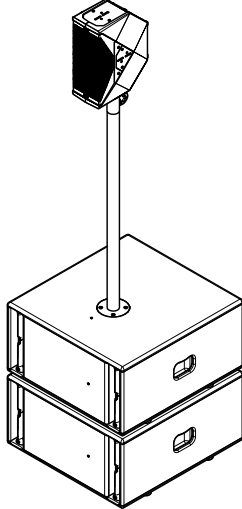
- Amplification:
 - o The IDS110 and IDS210 subwoofers MUST be used with a NEXO processor to handle EQ, phase alignment, crossover and excursion/thermal protection for the system loudspeakers. There are two NEXO processor series supporting the IDS110 and IDS210 subwoofers: NXAMP (4-channel) amplified processors and DTD processors DTD (stereo + sub). DTD processors ensure optimal performances when used with DTDAMP power amplifiers (IDS110 only).
 - o The following table shows the number of IDS110 / IDS210 subwoofers usable with each solution.

	NXAMP 4x1	NXAMP 4x4	DTD + DTDAMP 4x0.7	DTD + DTDAMP 4x1.3
IDS110	1 or 2 per channel	1 or 2 per channel	1 per channel	1 per channel
IDS210	1 per channel	1 per channel		

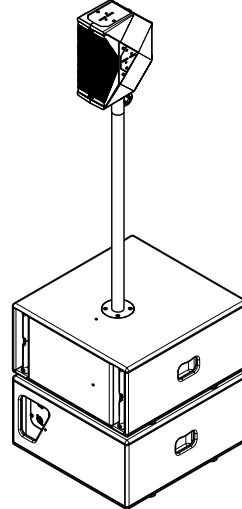
5 SETTING RANGE

There are two setting ranges for surrounding speakers IDS110 and IDS210:

- "OMNI" setups (available on NXAMP and DTD) ; For a traditional use of the subwoofer in omnidirectional radiation (require at least one subwoofer and a channel of amplifier).
- "CARDIO" setups (only available on NXAMP) ; For a directional use (cardioid) of subwoofers (require at least two subwoofers and two channels of amplifier):
 - o Setup "FR" (Front) for the subwoofer pointed at the audience.
 - o Setup "BA" (Back) for the subwoofer turned around.



"OMNI" Assembly



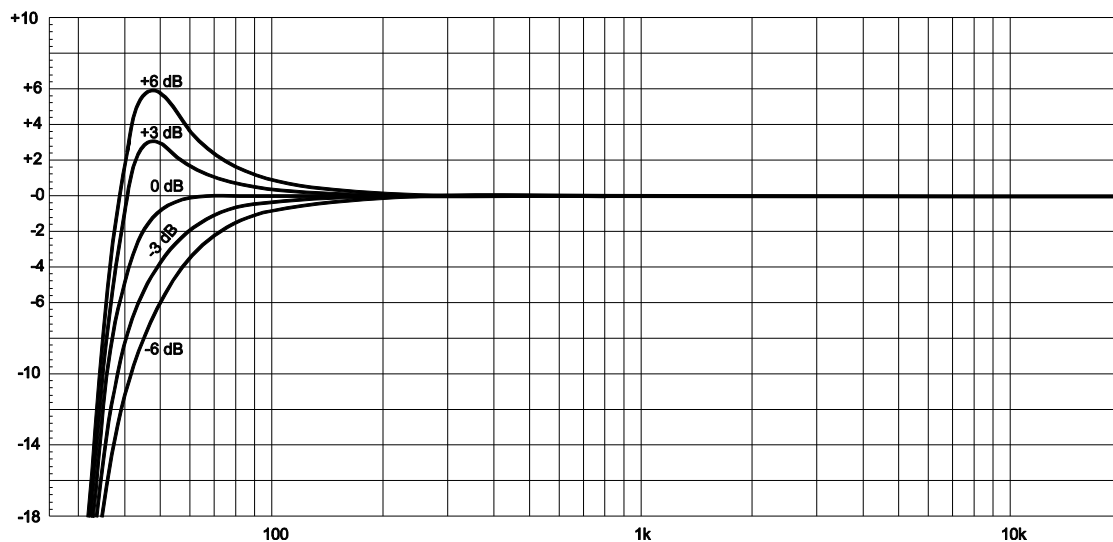
"CARDIO" Assembly

For both of these ranges, choose the crossover frequency value to application:

- 85Hz Recommended for a use with speakers type PS10R2 or PS15R2.
- 120Hz Recommended for a use with speakers type ID24.

6 ARRAY EQ

The ArrayEQ allows to adjust the system frequency response in its lower range (see curves below, with different ArrayEQ values):



7 TECHNICAL SPECIFICATIONS

IDS WITH NEXO ELECTRONICS

Model	IDS110	IDS210
Frequency Range	43Hz – 130Hz (+/- 3dB)	43Hz – 130Hz (+/- 3dB)
Sensitivity (1W / 1m)	97dB SPL Nominal	103dB SPL Nominal
Peak SPL Level (1m)	125dB Peak	131dB Peak
Crossover Frequency	85Hz / 120Hz	85Hz / 120Hz
Nominal Impedance	4Ω	2Ω
Recommended Amplification	400 to 650W	800 to 1300W

SPECIFICATIONS

Model	IDS110	IDS210
Components	1x 10" - Long excursion	2x 10" - Long excursion
Material	Finnish birch plywood	Finnish birch plywood
Finish	Black structured paint	Black structured paint
Rigging	4x M6 Inserts M20 flange (t version only)	4x M6 Inserts M20 flange (t version only)
Weight	21 kg – 47 lb	37 kg – 82 lb
Dimensions	<p>Technical drawings of the IDS110 speaker showing front, top, and side views with dimensions: front width 525, top width 550, and height 285.</p>	<p>Technical drawings of the IDS210 speaker showing front, top, and side views with dimensions: front width 1050, top width 550, and height 285.</p>

8 USER NOTES

France

Nexo S.A.

Parc d'activité de la Dame Jeanne

F-60128 PLAILLY

Tel: +33 3 44 99 00 70

Fax: +33 3 44 99 00 30

E-mail: info@nexo.fr

www.nexo-sa.com