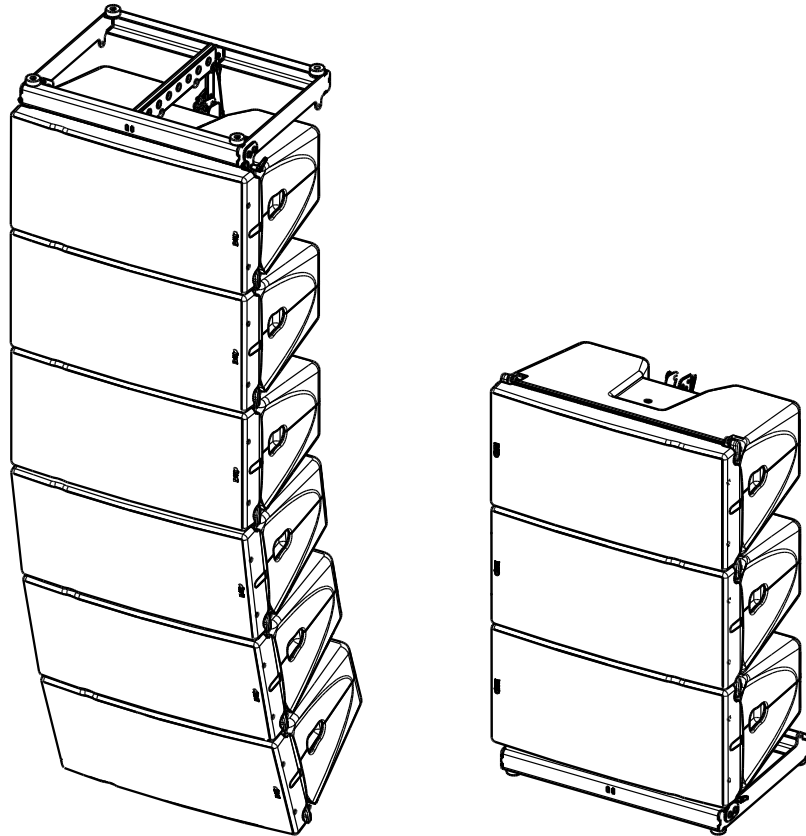
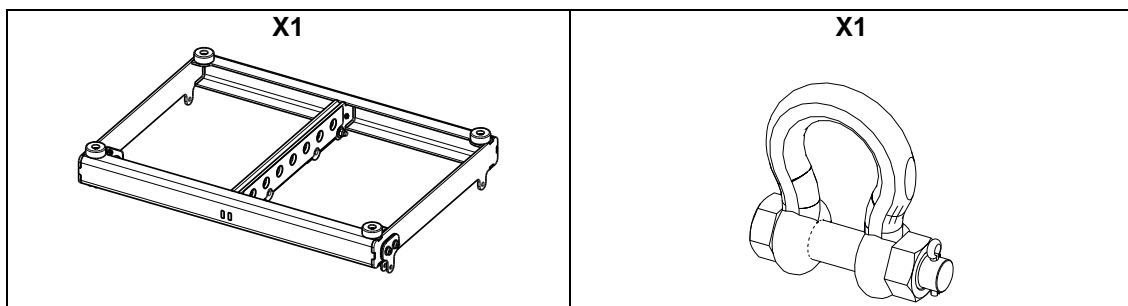


Bumper for GeoM12

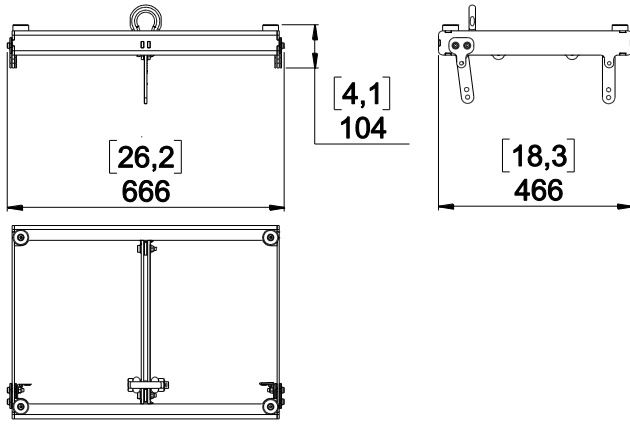


Contents:



Weight: 10.5 kg / 23.1 lb

Dimensions:



Use: Max 12x GEOM12 flown or 3x GEOM12 stack

HF on the right (stack)

<p>Remove the two quick release pins <i>BL0820</i>, and the quick release pin of <i>LBUMPM12</i> link bar <i>BL0825</i>.</p>	<p>Take out <i>GEOM12</i> link bar. Place <i>GEOM12</i> and lock with the 2 quick release pins <i>BL0820</i>.</p>	<p>Adjust the angle with the <i>LBUMPM12</i> link bar. Lock with the quick release pin <i>BL0825</i>.</p>

HF on the left (stack)

<p>Remove the quick release pin of <i>LBUMPM12</i> link bar <i>BL0825</i> to unlock it.</p>	<p>Take out <i>GEOM12</i> link bar. Pull the 2 <i>AutoRig</i> in automatic lock position and place <i>GEOM12</i>. Check that it is properly engaged.</p>	<p>Adjust the angle with the <i>LBUMPM12</i> link bar. Lock with the quick release pin <i>BL0825</i>.</p>

WARNING: Use shackle model: Alloy Bolt Type Shackles 3.25 Tons
Use NEXO Simulation Software for mechanical prediction

- NEXO cannot accept responsibility for accidents caused by any factor other than defects in this product itself.
- Please check the web site nexo-sa.com for the latest update.