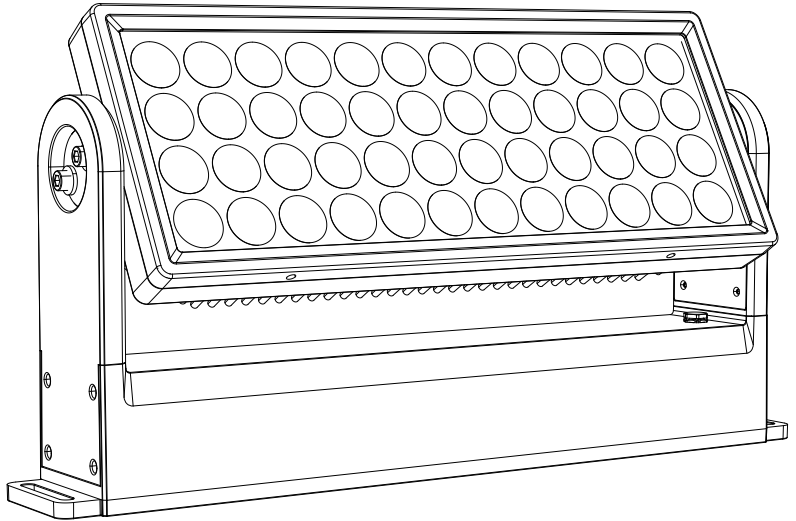


# ARCPD48Q

OUTDOOR COMPACT WASHLIGHT



USER MANUAL  
MANUALE UTENTE

All rights reserved by Music & Lights S.r.l. No part of this instruction manual may be reproduced in any form or by any means for any commercial use.

In order to improve the quality of products, Music&Lights S.r.l. reserves the right to modify the characteristics stated in this instruction manual at any time and without prior notice.

All revisions and updates are available in the 'manuals' section on site [www.musiclights.it](http://www.musiclights.it)

**TABLE OF CONTENTS****Safety**

General instructions .....	2
Warnings and installation precautions .....	2

**1 Introduction**

1.1 Description .....	3
1.2 Technical specifications .....	3
1.3 Operating elements and connections .....	5

**2 Installation**

2.1 Mounting .....	6
--------------------	---

**3 Functions and settings**

3.1 Operation .....	7
3.2 Basic .....	7
3.3 RDM mode .....	8
3.4 RDM function .....	8
3.5 Linking .....	9
3.6 DMX addressing configuration .....	9
3.7 DMX mode configuration .....	9
3.8 DMX addressing .....	9
3.9 Dimmer mode .....	10
3.10 LED frequency .....	10
3.11 Sensor menu .....	10
3.12 Sw version .....	10
3.13 UID .....	11
3.14 Factory Default .....	11
3.15 Manual color .....	11
3.16 Full on mode .....	11
3.17 Connection of the DMX line .....	12
3.18 Construction of the DMX termination .....	12
3.19 DMX control .....	13

**4 Maintenance**

4.1 Maintenance and cleaning the unit .....	16
4.2 Trouble shooting .....	16

**Packing content**

- ARCPD48Q
- Power adaptor cable
- Signal adaptor cable (2 pcs)
- User manual



**WARNING! Before carrying out any operations with the unit, carefully read this instruction manual and keep it with care for future reference. It contains important information about the installation, usage and maintenance of the unit.**



## SAFETY

### General instruction

- The products referred to in this manual conform to the European Community Directives and are therefore marked with  $\text{c}\ddot{\text{e}}$ .
- The unit is supplied with hazardous network voltage (230V~). Leave servicing to skilled personnel only. Never make any modifications on the unit not described in this instruction manual, otherwise you will risk an electric shock.
- Connection must be made to a power supply system fitted with efficient earthing (Class I appliance according to standard EN 60598-1). It is, moreover, recommended to protect the supply lines of the units from indirect contact and/or shorting to earth by using appropriately sized residual current devices.
- The connection to the main network of electric distribution must be carried out by a qualified electrical installer. Check that the main frequency and voltage correspond to those for which the unit is designed as given on the electrical data label.
- This unit is not for home use, only professional applications.
- Never use the fixture under the following conditions:
  - in places subject to vibrations or bumps;
  - in places with an ambient temperature of over 50°C.
- Make certain that no inflammable liquids, water or metal objects enter the fixture.
- Do not dismantle or modify the fixture.
- All work must always be carried out by qualified technical personnel. Contact the nearest sales point for an inspection or contact the manufacturer directly.
- If the unit is to be put out of operation definitively, take it to a local recycling plant for a disposal which is not harmful to the environment.



### Warnings and installation precautions

- If this device will be operated in any way different to the one described in this manual, it may suffer damage and the guarantee becomes void. Furthermore, any other operation may lead to dangers like short circuit, burns, electric shock, etc.
- Before starting any maintenance work or cleaning the projector, cut off power from the main supply.
- When carrying out any work, always comply scrupulously with all the regulations (particularly regarding safety) currently in force in the country in which the fixture's being used.
- The minimum distance between the fixture and surrounding walls must be more than 50 cm and the air vents at the housing must not be covered in any case.
- Keep any inflammable material at a safe distance from the fixture.
- The maximum temperature that can be reached on the external surface of the fitting, in a thermally steady state, is high. After power off, please cool down over 15 minutes.
- Shields, lenses or ultraviolet screens shall be changed if they have become damaged to such an extent that their effectiveness is impaired.
- The lamp (LED) shall be changed if it has become damaged or thermally deformed.
- Never look directly at the light beam. Please note that fast changes in lighting, e. g. flashing light, may trigger epileptic seizures in photosensitive persons or persons with epilepsy.
- This product was designed and built strictly for the use indicated in this documentation. Any other use, not expressly indicated here, could compromise the good condition/operation of the product and/or be a source of danger.
- We decline any liability deriving from improper use of the product.

## - 1 - INTRODUCTION

### 1.1 DESCRIPTION

ARCPD48Q is a compact high-power outdoor wash light featuring an outstanding brightness of 28208 lumens. Equipped with 48 x 10W RGBW full-colour LEDs, delivering superior colour mixing. The slim sizing, as well as the wide range of available optics through the magnet, makes the ARCPD48Q an incredibly flexible and versatile device for large outdoor applications.

### 1.2 TECHNICAL SPECIFICATIONS

#### LIGHT SOURCE

- Source: 48X10W RGBW/FC LEDs
- Luminous flux: 28208lm
- Lux: (15°) 26200lux @3m full
- Lux: (15°) 9432lux @5m full
- Source life expectancy: >50.000 h

#### OPTICS

- Beam angle: 15°
- Field angle: 27°
- Additional optics: 10°, 25°, 45°
- Other: barn doors not included

#### COLOUR SYSTEM

- Colour mixing: RGBW/FC
- CTC: CTC control through independent DMX channel
- Colour wheel: virtual colour wheel with presets
- Macros: several pre-build macros with adjustable speed

#### DYNAMIC EFFECTS

- FX generator: section effect with 4 horizontal individually select and control sections
- Static colour mode: selection of static colour
- Manual colour mode: manual adjustment of colour
- Auto mode: built-in programs with execution speed adjustment

#### BODY

- Tilt angle: 0-130° manual
- Body: sturdy die-cast aluminium body conceived for long-time durability
- Body colour: grey

#### CONTROL

- Protocols: DMX512, RDM
- DMX channels: 5 / 7 / 10 / 17 / 22channel
- RDM: RDM ready for fixture remote monitor and settings
- Display: user interface through DATAMASTER external coder (not included)
- Firmware upgrade: yes, via USB-DMX interface (UPBOX1) not included
- Master/Slave: for synchronized operation of more units linked in a chain

**ELECTRONICS**

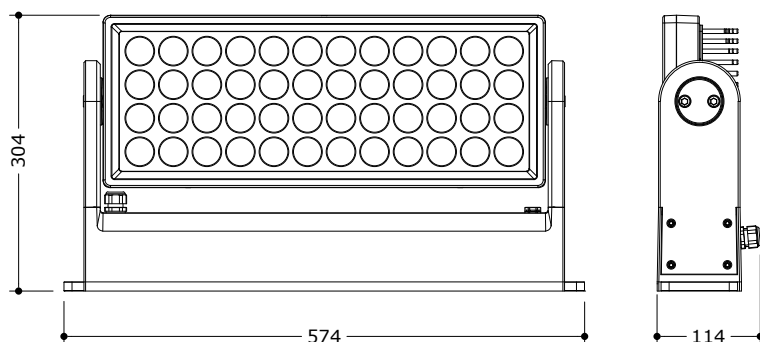
- Dimmer: linear 0~100% electronic dimmer
- Dimmer curves: 4 different dimming curves available
- Strobe / shutter: 1 - 30 Hz, electronic
- Operating temperature:  $-20^{\circ} \sim +50^{\circ}$
- Flicker: flicker free operation
- Selectable PWM: 600~25K Hz

**ELECTRICAL**

- Power consumption: 700
- Power supply: 100-240V – 50/60Hz
- Power consumption (at 230V): 521W
- Power consumption (at 120V): 552W
- Output (at 230V): 4 units on a single power line
- Output (at 120V): 2 units on a single power line
- Power factor: 0.95

**PHYSICAL**

- Cooling: natural cooling of the peculiar chassis and to absence of fans
- Adaptors: XLR and Shuko 16A adaptors included
- Signal connection: moulded IP signal IN/OUT connectors
- Power connection: moulded IP power IN/OUT connectors
- IP rating: 66 for outdoor installations
- Dimensions (WxHxD): 574x304x114 mm
- Weight: 14kg

*Technical drawing**Fig.1*

## 1.3 OPERATING ELEMENTS AND CONNECTIONS

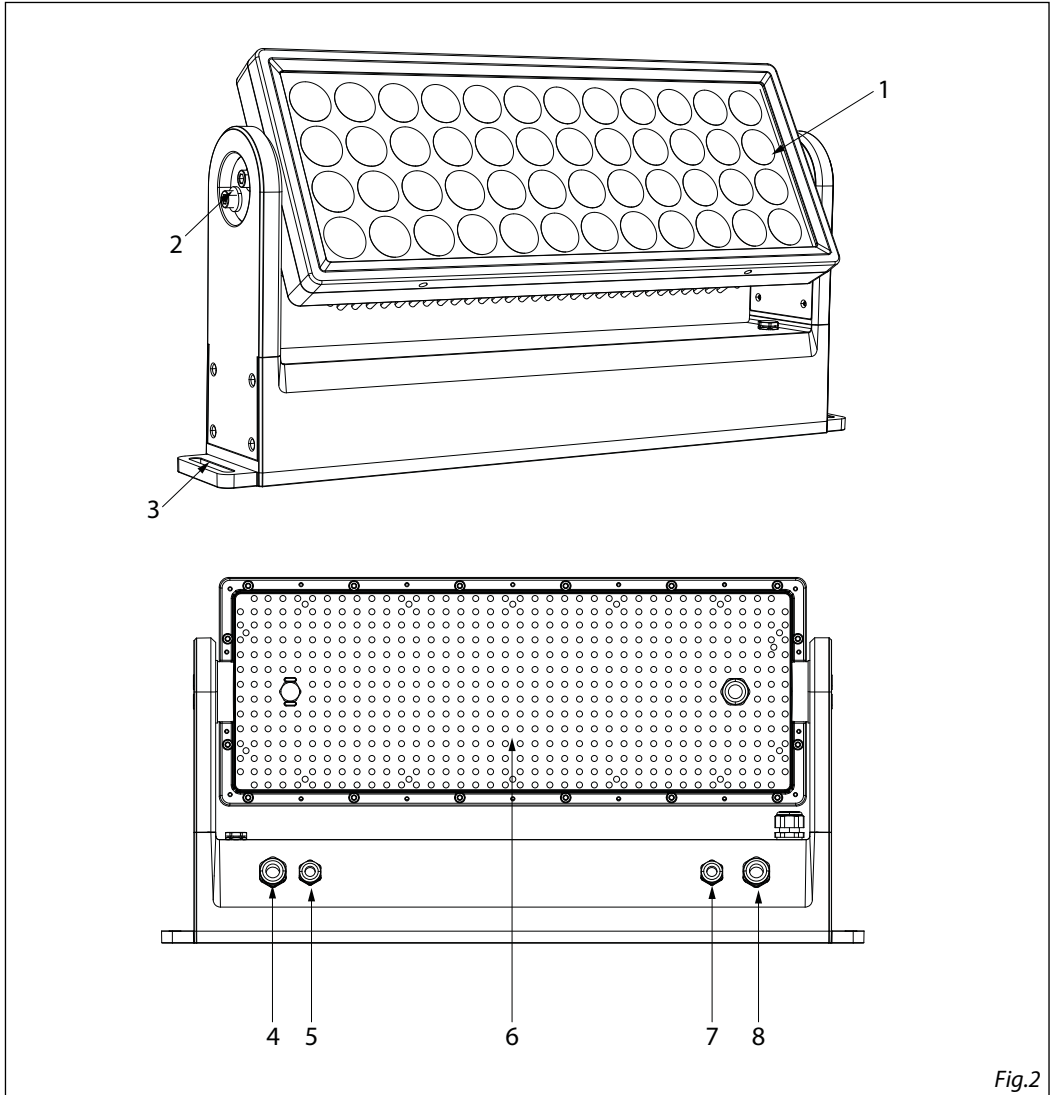


Fig.2

- |  |  |
|--|--|
| 1. LED panel   | 5. DMX IN (5-pole XLR): 1 = ground, 2 = DMX-, 3 = DMX+, 4 N/C, 5 N/C.  |
| 2. MECHANICAL SYSTEM for individual positioning of Led panels                            | 6. HEATSINK  |
| 3. HOLES for fixing to the ground  | 7. DMX OUT (5-pole XLR): 1 = ground, 2 = DMX-, 3 = DMX+, 4 N/C, 5 N/C. |
| 4. POWER IN: for connection to a socket (100-240V~/50-60Hz) via the supplied mains cable | 8. POWER OUT: connect to supply power to the next unit.                |

## - 2 - INSTALLATION

### 2.1 MOUNTING

The ARCPD48Q may be set up on a solid and even surface using the fastening devices of the base (2). Stable mounting clips are required for fixing. Also make sure to comply with all safety warnings.

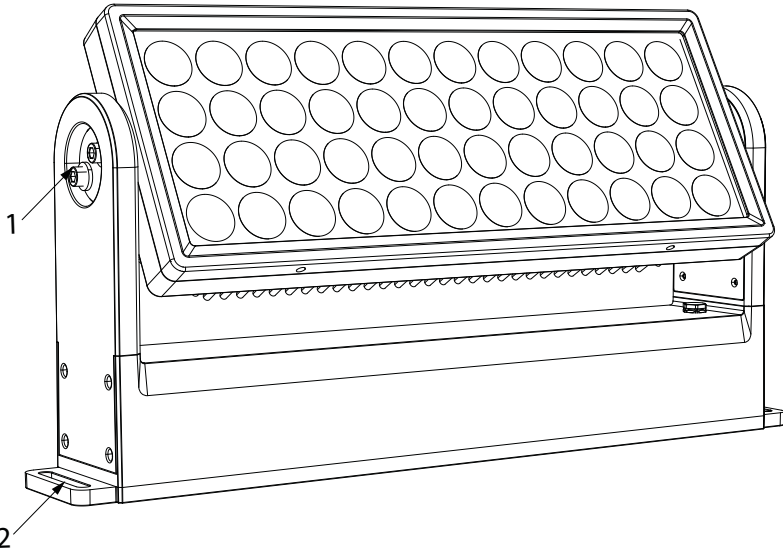


Fig.3



## - 3 - FUNCTIONS AND SETTINGS

### 3.1 OPERATION

Connect the supplied main cable to a socket (100-240V~/50-60Hz). To switch off, disconnect the mains plug from the socket. For a more convenient operation it is recommended to connect the unit to a socket which can be switched on and off via light switch.

### 3.2 BASIC

To control the ARCPD48Q connect the device to a DATAMASTER (fig.4).

DATAMASTER is a powerful RDM-DMX tool that automatically detects connected RDM devices, allowing direct and fast monitoring and control. Information on the status of the connected fixture can be read from the DATAMASTER display.

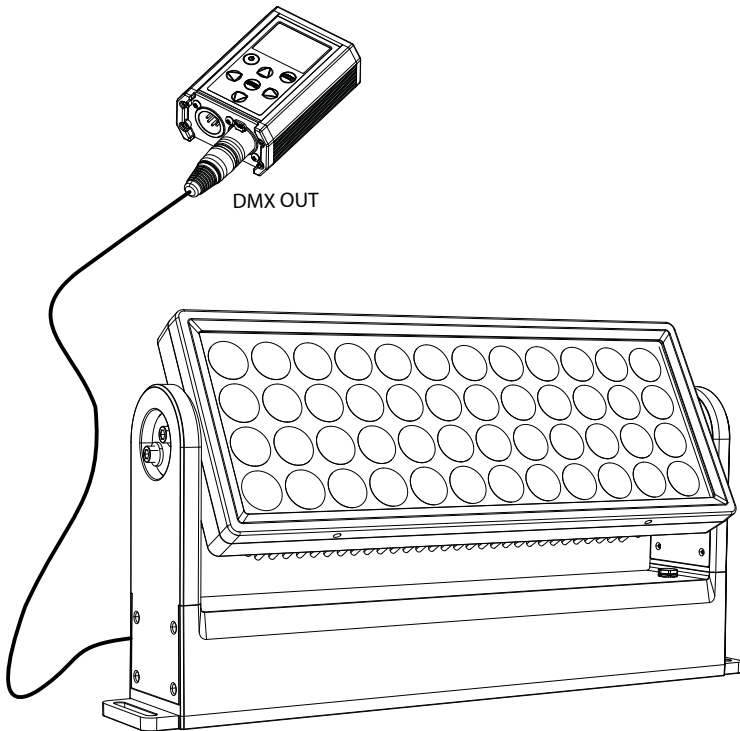


Fig.4

### 3.3 RDM MODE

To use the ARCPD48Q proceed as follows:

- Connect the ARCPD48Q to a DATAMASTER.
- Turn on the DATAMASTER using the dedicated button.
- With the DATAMASTER select **RDM** to show the following info about:
  - Model
  - Manufacturer
  - Function
  - Temperature
  - Factory Default
  - Software Version
  - UID
  - Manual Color
  - Effects mode
  - Full On

### 3.4 MENU STRUCTURE

MENU	
1	<b>DMX ADDRESS</b> ⇒ 001-512 <span style="float: right;">Default: 1</span>
2	<b>DMX MODE</b> ⇒ 5CH <span style="float: right;">Default: 10CH</span> 7CH 10CH 17CH 22CH
3	<b>DIMMER MODE</b> ⇒ Off <span style="float: right;">Default: Off</span> Dimmer1 Dimmer2 Dimmer3
4	<b>LED FREQUENCY</b> ⇒ 600Hz <span style="float: right;">Default: 1200Hz</span> 1200Hz 2000Hz 4000Hz 6000Hz 25kHz
5	<b>SPECIFIC PIDS</b> ⇒ 8200 (RED) <span style="float: right;">White Balance</span> 8201 (Green) 8202 (Blue) 8203 (White) 8217 (Full On Mode) ⇒ 0:HB;1:Studio <span style="float: right;">Default: HB</span> 8206 (Clear Device Hours)

### 3.5 LINKING

Multiple units can be connected so that all secondary units have the same lighting effect as the main unit (Master).

1. Connect the DMX OUT output of the main unit to the DMX IN input of the first secondary unit using 5 pole XLR cable.
2. Connect the DMX OUT output of the first secondary unit with the DMX IN input of the second secondary unit, etc.

### 3.6 DMX ADDRESSING CONFIGURATION

To enter the DMX mode proceed as follows:

- In the main menu of the DATAMASTER select **RDM**.
- Press the ENTER button to access the main menu.
- Press the UP/DOWN button to scroll through the menu, select **DMX Addrees**, then press the ENTER button to access.
- Use the arrow buttons to set the desired value (**001-512**). Press the ENTER button to confirm.
- Press the MENU button repeatedly to exit the menu and to save the changes made.

### 3.7 DMX MODE CONFIGURATION

ARCPD48Q has 5 DMX channel configurations.

- In the main menu of the DATAMASTER select **RDM**
- Press the ENTER button to access the main menu.
- Press the UP/DOWN button to scroll through the menu, select the **DMX Mode**, then press the ENTER button to enter the next menu.
- Use the UP/DOWN button to select the desired DMX channel configuration (**5CH, 7CH, 10CH, 17CH, 22CH**), then press the ENTER button to confirm the selection.
- Press the MENU button repeatedly to exit the menu and to save the changes made.

The tables on page 13, 14 and 15 indicate the operating modes and related DMX values. As an interface DMX, the unit has 5-pin XLR contacts.

### 3.8 DMX ADDRESSING

For operation via a light control unit with DMX512 protocol, simply connect ARCPD48Q to the controller. The projector has a DMX channel configuration that can be accessed from the control panel. In order to control ARCPD48Q with a light control unit, the DMX start address must be set for the first DMX channel. If, for example, the address 33 is provided on the control unit to control the function of the first DMX channel, the start address 33 must be set on the ARCPD48Q. The other panel functions will be automatically assigned to the following addresses.

Number of DMX channels	Start address (example)	DMX Address occupied	Next possible start address for unit No. 1	Next possible start address for unit No. 2	Next possible start address for unit No. 3
5	33	33-37	38	43	48
7	33	33-39	40	47	54
10	33	33-42	43	53	63
17	33	33-49	50	67	84
22	33	33-54	55	77	99

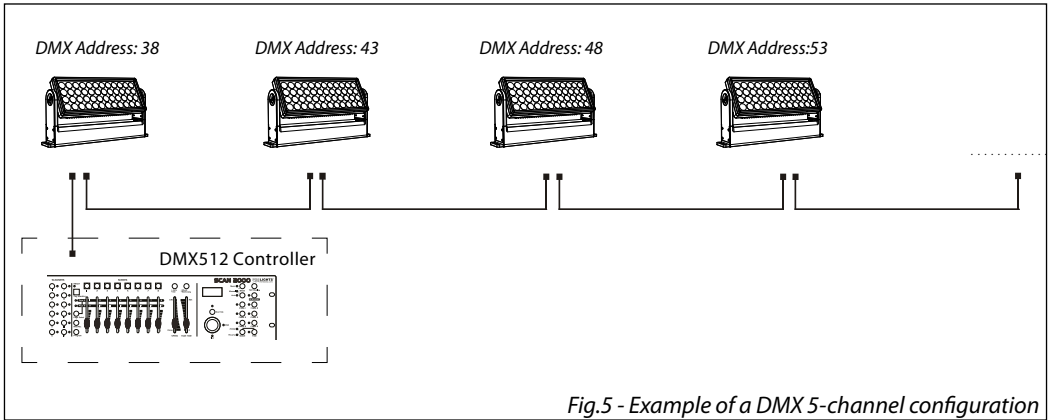


Fig.5 - Example of a DMX 5-channel configuration

### 3.9 DIMMER MODE

To to select specific dimming curve, proceed as follows.

- In the main menu of the DATAMASTER select **RDM**.
- Press the ENTER button to access the main menu.
- Press the UP/DOWN button to scroll through the menu, select the **Dimmer mode**, then press the ENTER button to access to next menù.
- Press the UP/DOWN button to select one of available setting:
- **Off**: The increase in light intensity is linear.
- **Dimmer 1**: dimmer curve with low fade.
- **Dimmer 2**: dimmer curve with medium fade.
- **Dimmer 3**: dimmer curve with high fade.
- Press ENTER to confirm.
- Press the MENU button repeatedly to exit the menu.

### 3.10 LED FREQUENCY

To adjust the frequency of the LEDs, proceed as follows.

- In the main menu of the DATAMASTER select **RDM**.
- Press the ENTER button to access the main menu.
- Press the UP/DOWN button to scroll through the menu, select the **LED Frequency**, then press the ENTER button to access to next menù.
- Press the UP/DOWN button to select one of available setting: **600Hz, 1200Hz, 2000Hz, 4000Hz, 6000Hz, 25kHz**. Then select ENTER to confirm.
- Press the MENU button repeatedly to exit the menu.

### 3.11 SENSOR MENU

To view the information about temperature on the device, proceed as follows.

- In the main menu of the DATAMASTER select **RDM**.
- Press the ENTER button to access the main menu.
- Press the UP/DOWN button to scroll through the menu, select the **Sensor Menu**, then press the ENTER button to access to next menù to view the temperature.
- Press the MENU button repeatedly to exit the menu.

### 3.12 SW VERSION

To view the software version installed on the device, proceed as follows.

- In the main menu of the DATAMASTER select **RDM**.
- Press the ENTER button to access the main menu.
- Press the UP/DOWN button to scroll through the menu, select the **Sw Version**, then press the ENTER button to access to next menu to view the software version of the device.
- Press the MENU button repeatedly to exit the menu.

### 3.13 UID

To view the UID of the device, proceed as follows.

- In the main menu of the DATAMASTER select **RDM**.
- Press the ENTER button to access the main menu.
- Press the UP/DOWN button to scroll through the menu, select the **UID**, then press the ENTER button to access to access to next menu to view UID of the device.

Press the MENU button repeatedly to exit the menu.

### 3.14 FACTORY DEFAULT

To reset the device of the factory default proceed as follows:

- In the main menu of the DATAMASTER select **RDM**.
- Press the ENTER button to access the main menu.
- Press the UP/DOWN button to scroll through the menu, select the **Factory Default**, then press the ENTER button to access the next menu to choice the **Yes** or **No**.
- Press the MENU button repeatedly to exit the menu and to save the changes made.

### 3.15 MANUAL COLOR

To enter this mode proceed as follows:

- In the main menu of the DATAMASTER select **RDM**.
- Press the ENTER button to access the main menu.
- Press the UP/DOWN button to scroll through the menu, select the **Manual Color** then press the ENTER button to access.
- Use the arrow buttons to set the desired mixing color (**Red, Green, Blue, White**) with the relative value (**000-255**). Press the ENTER button to confirm.
- Press the MENU button repeatedly to exit the menu and to save the changes made.
- NOTE: once you have set up the mixing of desired colors with the mode described, to change this at a later time it is necessary to start again with the Factory Reload mode.

### 3.16 EFFECTS MODE

To enter this mode proceed as follows:

- In the main menu of the DATAMASTER select **RDM**.
- Press the ENTER button to access the main menu.
- Press the UP/DOWN button to scroll through the menu, select the **Effects** then press the ENTER button to access.
- Use the arrow buttons to set the desired effect (**Effect1, Effect2, Effect3, Effect4, Effect5, Effect6, Effect7, Effect8, Effect9**) with the relative value (**000-225**). Press the ENTER button to confirm.
- Press the MENU button repeatedly to exit the menu and to save the changes made.

NOTE: once the desired effect has been set with the described mode, to change it at a later time it is neces-

sary to start again with the Factory Reload mode.

### 3.17 FULL ON MODE

To enter this mode proceed as follows:

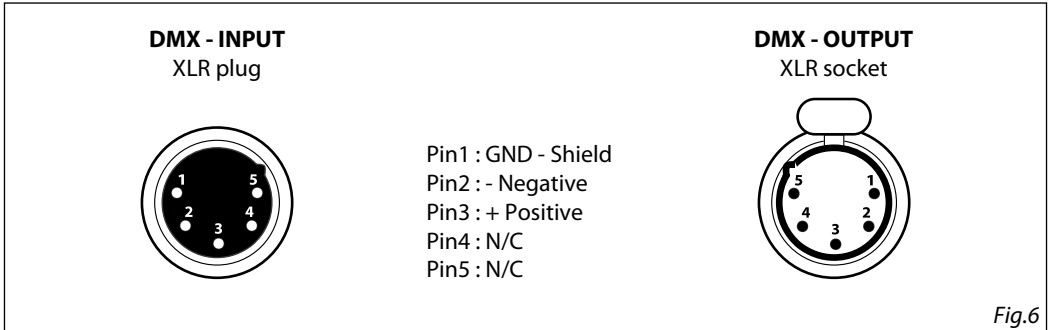
- In the main menu of the DATAMASTER select **RDM**.
- Press the ENTER button to access the main menu.
- Press the UP/DOWN button to scroll through the menu, select the **Full on** mode then press the ENTER button to access.
- Use the UP/DOWN buttons to set the **HB** mode (High Brightness Mode, with the maximum value of the colors) or **Studio** mode with a automatic white calibration.
- Press the MENU button repeatedly to exit the menu and to save the changes made.
- NOTE: once the desired effect has been set with the described mode, to change it at a later time it is necessary to start again with the Factory Reload mode.

NOTE: If the projector is in Blackout mode before to receive DMX signal, and if the DMX signal is lost, the projector will remain on according to the last received DMX value. If the projector was in STATIC or AUTO mode before to receive DMX signal, if the DMX signal is lost, the projector will return to the previously set STATIC or AUTO.

### 3.18 CONNECTION OF THE DMX LINE

DMX connection employs standard XLR connectors. Use shielded pair-twisted cables with 120Ω impedance and low capacity.

The following diagram shows the connection mode:



#### ATTENTION

The screened parts of the cable (sleeve) must never be connected to the system's earth, as this would cause faulty fixture and controller operation.

Over long runs can be necessary to insert a DMX level matching amplifier.

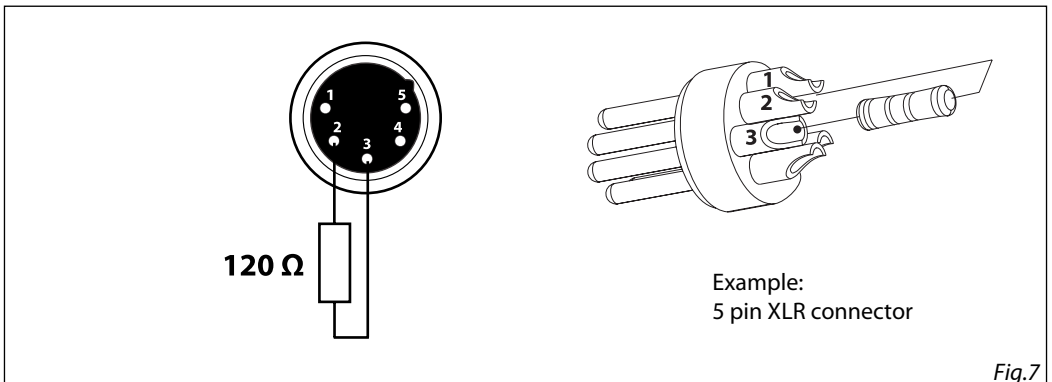
For those connections the use of balanced microphone cable is not recommended because it cannot transmit control DMX data reliably.

- Connect the controller DMX input to the DMX output of the first unit.
- Connect the DMX output to the DMX input of the following unit. Connect again the output to the input of the following unit until all the units are connected in chain.
- When the signal cable has to run longer distance is recommended to insert a DMX termination on the last unit.

### 3.19 CONSTRUCTION OF THE DMX TERMINATION

The termination avoids the risk of DMX 512 signals being reflected back along the cable when they reach the end of the line: under certain conditions and with certain cable lengths, this could cause them to cancel the original signals.

The termination is prepared by soldering a 120Ω 1/4 W resistor between pins 2 and 3 of the 5-pin male XLR connector, as shown in figure.



## 3.20 DMX CONTROL

## 5 CHANNELS

MODE 5 Ch	FUNCTION	DMX Value
1	<b>RED</b> 0~100%	000 - 255
2	<b>GREEN</b> 0~100%	000 - 255
3	<b>BLUE</b> 0~100%	000 - 255
4	<b>WHITE</b> 0~100%	000 - 255
5	<b>DIMMER SPEED MODE</b> Preset dimmer speed from display menu Dimmer speed mode off Dimmer speed mode1 (fast speed) Dimmer speed mode2 (middle speed) Dimmer speed mode3 (slow speed)	000-051 052-101 102-152 153-203 204-255

## 7 CHANNELS

MODE 7 Ch	FUNCTION	DMX Value
1	<b>DIMMER</b> 0~100%	000 - 255
2	<b>RED</b> 0~100%	000 - 255
3	<b>GREEN</b> 0~100%	000 - 255
4	<b>BLUE</b> 0~100%	000 - 255
5	<b>WHITE</b> 0~100%	000 - 255
6	<b>STROBE</b> No function Strobe Slow to Fast	000 - 010 011 - 255
7	<b>DIMMER SPEED MODE</b> Preset dimmer speed from display menu Dimmer speed mode off Dimmer speed mode1 (fast speed) Dimmer speed mode2 (middle speed) Dimmer speed mode3 (slow speed)	000-051 052-101 102-152 153-203 204-255

## 10 CHANNELS

MODE 10 Ch	FUNCTION	DMX Value
1	<b>DIMMER</b> 0~100%	000 - 255
2	<b>RED</b> 0~100%	000 - 255
3	<b>GREEN</b> 0~100%	000 - 255
4	<b>BLUE</b> 0~100%	000 - 255
5	<b>WHITE</b> 0~100%	000 - 255
6	<b>STROBE</b> No function Strobe Slow to Fast	000 - 010 011 - 255
7	<b>COLOR MACRO</b> No Function R 100%, G 0~100%, B 0 % R 100%~0 %, G 100%, B 0 % R 0 %, G 100%, B 0~100% R 0 %, G 100~0 %, B 100% R 0~100%, G 0 %, B 100% R 100%, G 0 %, B 100~0 % R 100%, G 0~100%, B 0~100% R 100~0 %, G 100~0 %, B 100% R 100%, G 100%, B 100%, W 100% Color 1 Color 2 Color 3 Color 4 Color 5 Color 6 Color 7 Color 8 Color 9 Color 10 Color 11	000 - 010 011 - 030 031 - 050 051 - 070 071 - 090 091 - 110 111 - 130 131 - 150 151 - 170 171 - 200 201 - 205 206 - 210 211 - 215 216 - 220 221 - 225 226 - 230 231 - 235 236 - 240 241 - 245 246 - 250 251 - 255



## 10 CHANNELS

MODE 10 Ch	FUNCTION	DMX Value
8	<b>EFFECTS</b>	
	NO Function	000-010
	Effect 1	011-037
	Effect 2	038-064
	Effect 3	065-091
	Effect4	092-118
	Effect5 (Effects1- 4)	119-145
	Effect 6	146-172
	Effect 7	173-199
Effect 8	200-226	
Effect 9 (Effects6- 8)	227-255	
9	<b>EFFECTS SPEED</b>	
	Effects speed slow to fast	000 - 255
10	<b>DIMMER SPEED MODE</b>	
	Preset dimmer speed from display menu	000 - 051
	Dimmer speed mode off	052 - 101
	Dimmer speed mode 1 (fast speed)	102 - 152
	Dimmer speed mode 2 (middle speed)	153 - 203
Dimmer speed mode 3 (slow speed)	204 - 255	

## 17 CHANNELS

MODE 17 Ch	FUNCTION	DMX Value
1	<b>RED 1</b>	
	0~100%	000 - 255
2	<b>GREEN 1</b>	
	0~100%	000 - 255
3	<b>BLUE 1</b>	
	0~100%	000 - 255
4	<b>WHITE 1</b>	
	0~100%	000 - 255
5	<b>RED 2</b>	
	0~100%	000 - 255
6	<b>GREEN 2</b>	
	0~100%	000 - 255
7	<b>BLUE 2</b>	
	0~100%	000 - 255
8	<b>WHITE 2</b>	
	0~100%	000 - 255
9	<b>RED 3</b>	
	0~100%	000 - 255
10	<b>GREEN 3</b>	
	0~100%	000 - 255
11	<b>BLUE 3</b>	
	0~100%	000 - 255
12	<b>WHITE 3</b>	
	0~100%	000 - 255
13	<b>RED 4</b>	
	0~100%	000 - 255
14	<b>GREEN 4</b>	
	0~100%	000 - 255
15	<b>BLUE 4</b>	
	0~100%	000 - 255
16	<b>WHITE 4</b>	
	0~100%	000 - 255
17	<b>DIMMER SPEED MODE</b>	
	Preset dimmer speed from display menu	000-051
	Dimmer speed mode off	052-101
	Dimmer speed mode1 (fast speed)	102-152
	Dimmer speed mode2 (middle speed)	153-203
Dimmer speed mode3 (slow speed)	204-255	

## 22 CHANNELS

MODE 22 Ch	FUNCTION	DMX Value
1	<b>DIMMER</b> 0~100%	000 - 255
2	<b>STROBE 1</b> No function Strobe Slow to Fast	000 - 010 011 - 255
3	<b>STROBE 2</b> No function Strobe Slow to Fast	000 - 010 011 - 255
4	<b>STROBE 3</b> No function Strobe Slow to Fast	000 - 010 011 - 255
5	<b>STROBE 4</b> No function Strobe Slow to Fast	000 - 010 011 - 255
6	<b>RED 1</b> 0~100%	000 - 255
7	<b>GREEN 1</b> 0~100%	000 - 255
8	<b>BLUE 1</b> 0~100%	000 - 255
9	<b>WHITE 1</b> 0~100%	000 - 255
10	<b>RED 2</b> 0~100%	000 - 255
11	<b>GREEN 2</b> 0~100%	000 - 255
12	<b>BLUE 2</b> 0~100%	000 - 255
13	<b>WHITE 2</b> 0~100%	000 - 255
14	<b>RED 3</b> 0~100%	000 - 255
15	<b>GREEN 3</b> 0~100%	000 - 255
16	<b>BLUE 3</b> 0~100%	000 - 255
17	<b>WHITE 3</b> 0~100%	000 - 255

## 22 CHANNELS

MODE 22 Ch	FUNCTION	DMX Value
18	<b>RED 4</b> 0~100%	000 - 255
19	<b>GREEN 4</b> 0~100%	000 - 255
20	<b>BLUE 4</b> 0~100%	000 - 255
21	<b>WHITE 4</b> 0~100%	000 - 255
22	<b>DIMMER SPEED MODE</b> Preset dimmer speed from display menu Dimmer speed mode off Dimmer speed mode1 (fast speed) Dimmer speed mode2 (middle speed) Dimmer speed mode3 (slow speed)	000-051 052-101 102-152 153-203 204-255

## - 4 - MAINTENANCE

### 4.1 MAINTENANCE AND CLEANING THE UNIT

- Make sure the area below the installation place is free from unwanted persons during setup.
- Switch off the unit, unplug the main cable and wait until the unit has cooled down.
- All screws used for installing the device and any of its parts should be tightly fastened and should not be corroded.
- Housings, fixations and installation spots (ceiling, trusses, suspensions) should be totally free from any deformation.
- When the lens is visibly damaged due to cracks or deep scratches, it must be replaced.
- The main cables must be in impeccable condition and should be replaced immediately even when a small problem is detected.
- In order to protect the device from overheating the cooling fans (if any), and ventilation openings should be cleaned monthly.

To ensure optimal operation and performance for a long time it is essential to periodically clean the parts subject to dust and grease deposits. The frequency with which the following operations are to be carried out depends on various factors, such as the amount of the effects and the quality of the working environment (air humidity, presence of dust, salinity, etc.). Use a soft cloth dampened with any detergent liquid for cleaning glass to remove the dirt from the reflectors, from the lenses and filters.

It is recommended that the projector undergoes an annual service by a qualified technician for special maintenance involving at least the following operations:

- General cleaning of internal parts..
- Restoring lubrication of all parts subject to friction, using lubricants specifically.
- General visual check of the internal components, cabling, mechanical parts, etc.
- Electrical, photometric and functional checks; eventual repairs.

Warning: we strongly recommend internal cleaning to be carried out by qualified personnel!

### 4.2 TROUBLESHOOTING

Problems	Possible causes	Checks and remedies
Fixture does not light up	<ul style="list-style-type: none"> <li>• No mains supply</li> <li>• Dimmer fader set to 0</li> <li>• All color faders set to 0</li> <li>• Faulty LED</li> <li>• Faulty LED board</li> </ul>	<ul style="list-style-type: none"> <li>• Check the power supply voltage</li> <li>• Increase the value of the dimmer channels</li> <li>• Increase the value of the color channels</li> <li>• Replace the LED board</li> <li>• Replace the LED board</li> </ul>
General low light intensity	<ul style="list-style-type: none"> <li>• Dirty lens assembly</li> <li>• Misaligned lens assembly</li> </ul>	<ul style="list-style-type: none"> <li>• Clean the fixture regularly</li> <li>• Install lens assembly properly</li> </ul>
Fixture does not power up	<ul style="list-style-type: none"> <li>• No power</li> <li>• Loose or damaged power cord</li> <li>• Faulty internal power supply</li> </ul>	<ul style="list-style-type: none"> <li>• Check for power on power outlet</li> <li>• Check power cord</li> <li>• Replace internal power supply</li> </ul>
Fixture does not respond to DMX	<ul style="list-style-type: none"> <li>• Wrong DMX addressing</li> <li>• Damaged DMX cables</li> <li>• Bouncing signals</li> </ul>	<ul style="list-style-type: none"> <li>• Check control panel and unit addressing</li> <li>• Check DMX cables</li> <li>• Install terminator as suggested</li> </ul>

Contact an authorized service center in case of technical problems or not reported in the table can not be resolved by the procedure given in the table.





Music & Lights S.r.l. si riserva ogni diritto di elaborazione in qualsiasi forma delle presenti istruzioni per l'uso.  
La riproduzione - anche parziale - per propri scopi commerciali è vietata.

Al fine di migliorare la qualità dei prodotti, la Music&Lights S.r.l. si riserva la facoltà di modificare, in qualunque momento e senza preavviso, le specifiche menzionate nel presente manuale di istruzioni.

Tutte le revisioni e gli aggiornamenti sono disponibili nella sezione 'Manuali' sul sito [www.musiclights.it](http://www.musiclights.it)

<b>INDICE</b>	<b>Sicurezza</b>	
	Avvertenze generali .....	4
	Attenzioni e precauzioni per l'installazione .....	4
	<b>1 Introduzione</b>	
	1.1 Descrizione .....	5
	1.2 Specifiche tecniche .....	5
	1.3 Elementi di comando e di collegamento .....	7
	<b>2 Installazione</b>	
	2.1 Montaggio .....	8
	<b>3 Funzioni e impostazioni</b>	
	3.1 Funzionamento .....	9
	3.2 Impostazione base .....	9
	3.3 Modalità RDM .....	10
	3.4 Funzioni RDM .....	10
	3.5 Collegamento .....	11
	3.6 Configurazione indirizzamento DMX .....	11
	3.6 Configurazione modalità DMX .....	11
	3.7 Indirizzamento DMX .....	11
	3.8 Modalità Dimmer .....	12
	3.9 LED frequency .....	12
	3.10 Sensor menù .....	12
	3.11 SW version .....	12
	3.12 UID .....	12
	3.13 Factory default .....	13
	3.14 Modalità Full on .....	13
	3.15 Manual .....	13
	3.16 Collegamenti della linea DMX .....	14
	3.17 Costruzione del terminatore DMX .....	14
	3.18 Canali DMX .....	15
	<b>4 Manutenzione</b>	
	4.1 Manutenzione e pulizia del sistema ottico .....	18
	4.2 Risoluzione dei problemi .....	19

---

**Contenuto dell'imballo:**

- ARCPD48Q
  - Adattatore cavo di alimentazione
  - Adattatore cavo di segnale (2 pz)
  - Manuale utente
-




**ATTENZIONE! Prima di effettuare qualsiasi operazione con l'unità, leggere con attenzione questo manuale e conservarlo accuratamente per riferimenti futuri. Contiene informazioni importanti riguardo l'installazione, l'uso e la manutenzione dell'unità.**



## SICUREZZA

### Avvertenze generali

- I prodotti a cui questo manuale si riferisce sono conformi alle Direttive della Comunità Europea e pertanto recano la sigla **CE**.
- Il dispositivo funziona con pericolosa tensione di rete 230V~. Non intervenire mai al suo interno al di fuori delle operazioni descritte nel presente manuale; esiste il pericolo di una scarica elettrica.
- È obbligatorio effettuare il collegamento ad un impianto di alimentazione dotato di un'efficiente messa a terra (apparecchio di Classe I secondo norma EN 60598-1). Si raccomanda, inoltre, di proteggere le linee di alimentazione delle unità dai contatti indiretti e/o cortocircuiti verso massa tramite l'uso di interruttori differenziali opportunamente dimensionati.
- Le operazioni di collegamento alla rete di distribuzione dell'energia elettrica devono essere effettuate da un installatore elettrico qualificato. Verificare che frequenza e tensione della rete corrispondono alla frequenza ed alla tensione per cui l'unità è predisposta, indicate sulla targhetta dei dati elettrici.
- L'unità non per uso domestico, solo per uso professionale.
- Evitare di utilizzare l'unità:
  - in luoghi soggetti a vibrazioni, o a possibili urti;
  - in luoghi a temperatura superiore ai 50°C.
- Evitare che nell'unità penetrino liquidi infiammabili, acqua o oggetti metallici.
- Non smontare e non apportare modifiche all'unità.
- Tutti gli interventi devono essere sempre e solo effettuati da personale tecnico qualificato. Rivolgersi al più vicino centro di assistenza tecnica autorizzato.
- Se si desidera eliminare il dispositivo definitivamente, consegnarlo  per lo smaltimento ad un'istituzione locale per il riciclaggio.

### Attenzioni e precauzioni per l'installazione

- Se il dispositivo dovesse trovarsi ad operare in condizioni differenti da quelle descritte nel presente manuale, potrebbero verificarsi dei danni; in tal caso la garanzia verrebbe a decadere. Inoltre, ogni altra operazione potrebbe provocare cortocircuiti, incendi, scosse elettriche, rotture etc.
- Prima di iniziare qualsiasi operazione di manutenzione o pulizia sull'unità togliere la tensione dalla rete di alimentazione.
- Nell'eseguire qualsiasi intervento attenersi scrupolosamente a tutte le normative (in materia di sicurezza) vigenti nel paese di utilizzo.
- La distanza minima tra il proiettore e le pareti circostanti deve essere superiore a 50 cm e non devono essere ostruite, in nessun caso, le aperture di aerazione.
- Mantenere i materiali infiammabili ad una distanza di sicurezza dall'unità.
- La temperatura massima raggiungibile sulla superficie esterna dell'unità, in condizioni di regime termico, è elevata. Dopo lo spegnimento, attendere 15 minuti per il raffreddamento.
- I filtri, le lenti o gli schermi ultravioletti se danneggiati possono limitare la loro efficienza.
- I LED devono essere sostituiti se danneggiati o termicamente deformati.
- Non guardare direttamente il fascio luminoso. Tenete presente che i veloci cambi di luce possono provocare attacchi d'epilessia presso persone fotosensibili o epilettiche.
- Questo prodotto è stato progettato e costruito per l'utilizzo indicato in questa documentazione. Qualsiasi altro utilizzo non espressamente indicato potrebbe pregiudicare la funzionalità del prodotto e/o rappresentare fonte di pericolo.
- Si declina ogni responsabilità derivata dall'uso improprio del prodotto.



## - 1 - INTRODUZIONE

### 1.1 DESCRIZIONE

ARCPD48Q è un wash da esterno compatto e privo di ventola, che offre una straordinaria luminosità di 28208 lumen. E' composto da 48 led RGBW Full Color da 10W, offrendo un color mixing superiore. Il suo design sottile, come anche la possibilità di ottiche intercambiabili con supporti magnetici e filtri asimmetrici, rende il ARCPD48Q un prodotto incredibilmente flessibile sia per eventi indoor che outdoor essendo silenzioso e potente.

### 1.2 SPECIFICHE TECNICHE

#### SORGENTE LUMINOSA

- Sorgente: 48X10W RGBW/FC LEDs
- Flusso luminoso: 28208lm
- Lux: (15°) 26200lux @3m full
- Lux: (15°) 9432lux @5m full
- Durata media sorgente: >50.000 h

#### OTTICA

- Angolo di proiezione: 15°
- Angolo di campo: 27°
- Ottiche aggiuntive: 10°, 25°, 45°
- Altro: barn doors not included

#### SISTEMA COLORE

- Miscelazione del colore: RGBW/FC
- CTC: controllo CTC tramite canale DMX indipendente
- Ruota colori: virtual colour wheel with presets
- Macros: macro con controllo di velocità e intensità incorporate

#### EFFETTI DINAMICI

- Generatore effetti: section effect with 4 horizontal individually select and control sections
- Modalità colore statico: riproduzione statica di un colore
- Modalità colore manuale: regolazione manuale di un colore
- Auto mode: programmi integrati con regolazione della velocità di esecuzione

#### CORPO

- Tilt angle: 0-130° manuale
- Corpo: corpo in alluminio pressofuso ad alta resistenza
- Colore: grigio cemento

#### CONTROLLO

- Protocolli: DMX512, RDM
- Canali DMX: 5 / 7 / 10 / 17 / 22channel
- RDM: RDM ready per controllo e impostazioni remote della fixture
- Display: interfaccia utente disponibile tramite codificatore esterno DATAMASTER (non incluso)
- Aggiornamento firmware: si, con interfaccia USB-DMX (UPBOX1) non inclusa
- Master/Slave: per il controllo di più unità collegate in catena

**ELETTRONICA**

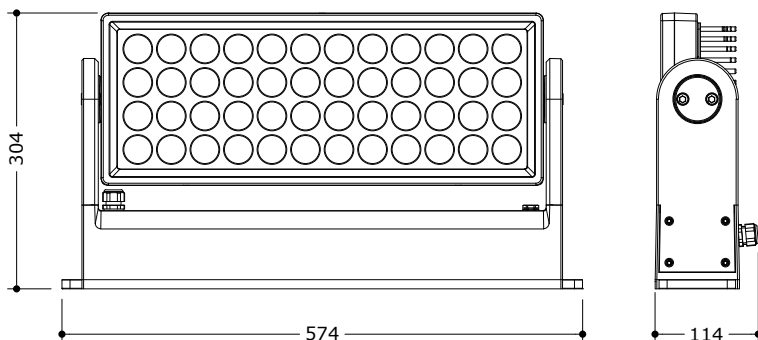
- Dimmer: 0~100% lineare, elettronico
- Curve dimmer: 4 curve dimmer regolabili
- Strobo / shutter: 1 - 30 Hz, elettronico
- Temperatura d'esercizio: -20° ~ +50°
- Flicker: funzionamento senza sfarfallio
- PWM selezionabile: 600~25K Hz

**ALIMENTAZIONE**

- Potenza assorbita: 700
- Alimentazione elettrica: 100-240V – 50/60Hz
- Potenza assorbita (a 230V): 521W
- Potenza assorbita (a 120V): 552W
- Output (a 230V): 4 unità connesse in serie
- Output (a 120V): 2 unità connesse in serie
- Fattore di potenza: 0.95

**CARATTERISTICHE FISICHE**

- Raffreddamento: proiettore privo di ventole e struttura disegnata per una dissipazione a convezione naturale
- Adattatori: adattatori 16A Shuko e XLR inclusi
- Connessione di segnale:
- Connessione di alimentazione:
- Grado IP: 66 per installazioni outdoor
- Dimensioni (LxAxP): 574x304x114 mm
- Peso: 14kg

*Disegno tecnico**Fig.1*

## 1.3 ELEMENTI DI COMANDO E DI COLLEGAMENTO

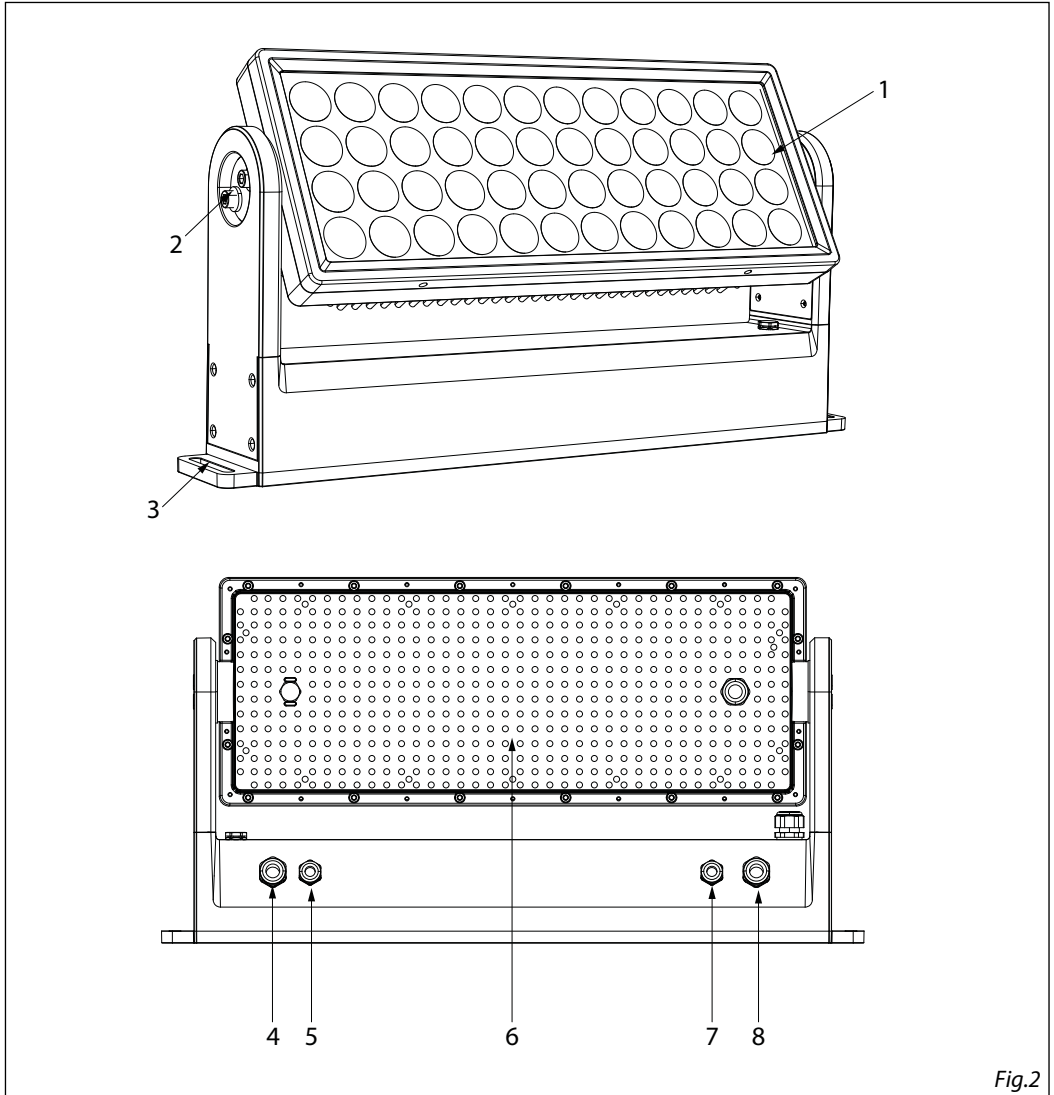


Fig.2

- |  |  |
|--|--|
| 1. Pannello LED  | 5. DMX IN (5-pole XLR): 1 = ground, 2 = DMX-, 3 = DMX+, 4 N/C, 5 N/C.  |
| 2. SISTEMA MECCANICO PER LA REGOLAZIONE individuale e simultanea dei blocchi LEDs.       | 6. DISSIPATORE   |
| 3. FORO per il fissaggio a terra.  | 7. DMX OUT (5-pole XLR): 1 = ground, 2 = DMX-, 3 = DMX+, 4 N/C, 5 N/C. |
| 4. POWER IN: for connection to a socket (100-240V~/50-60Hz) via the supplied mains cable | 8. POWER OUT: connect to supply power to the next unit.                |

## - 2 - INSTALLAZIONE

### 2.1 MONTAGGIO

ARCPD48Q può essere impostato su una superficie solida e uniforme utilizzando i dispositivi di fissaggio della base (2).

Per il fissaggio sono necessarie clip di montaggio stabili.

Assicurati anche di rispettare tutte le avvertenze di sicurezza.

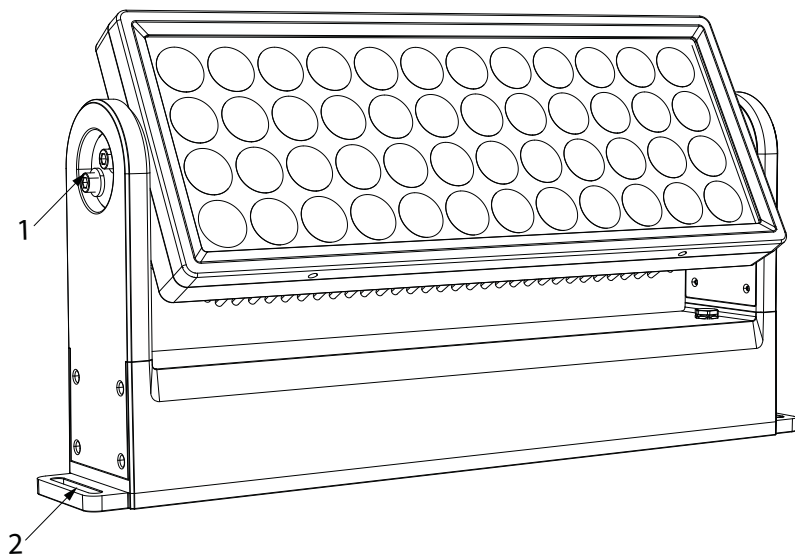


Fig.3

## - 3 - FUNZIONI E IMPOSTAZIONI

### 3.1 FUNZIONAMENTO

Per accendere il ARCPD48Q inserire la spina del cavo di alimentazione in una presa di rete (100-240V~/50-60Hz). Per spegnere il ARCPD48Q, staccare la spina dalla presa di rete. Per maggiore comodità è consigliabile collegare l'unità con una presa comandata da un interruttore.

### 3.2 IMPOSTAZIONE BASE

Per controllare l'ARCPD48Q collegare il dispositivo a un DATAMASTER (fig.4).

DATAMASTER è un potente strumento RDM-DMX che rileva automaticamente i dispositivi RDM connessi, consentendo un monitoraggio e un controllo diretti e veloci. Le informazioni sullo stato del dispositivo collegato possono essere lette dal display del DATAMASTER.

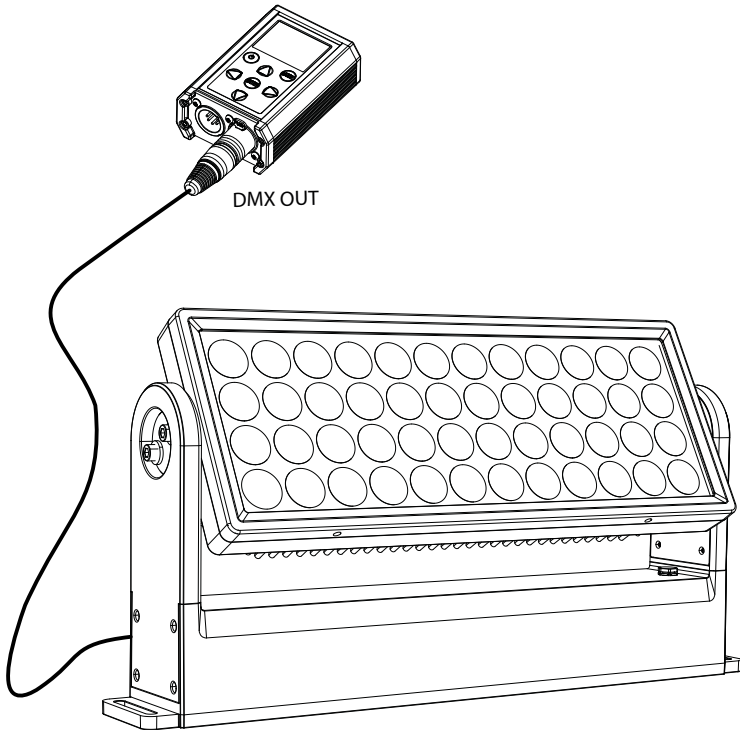


Fig.4

### 3.3 MODALITÀ' RDM

- Per poter usare l' ARCPD48Q procedere nel seguente modo:
- Connettere l' ARCPD48Q ad un DATAMASTER.
- Accendere il DATAMASTER tramite il tasto dedicato.
- Con il DATAMASTER selezionare **RDM** per visualizzare le informazioni riguardo:
  - Modello
  - Produttore
  - Function
  - Temperatura
  - Factory Default
  - Software Version
  - UID
  - Manual Color
  - Effects mode
  - Full On

### 3.4 FUNZIONI RDM

MENU	
1	<b>DMX ADDRESS</b> ⇒ 001-512 <span style="float: right;">Default: 1</span>
2	<b>DMX MODE</b> ⇒ 5CH <span style="float: right;">Default: 10CH</span> 7CH 10CH 17CH 22CH
3	<b>DIMMER MODE</b> ⇒ Off <span style="float: right;">Default: Off</span> Dimmer1 Dimmer2 Dimmer3
4	<b>LED FREQUENCY</b> ⇒ 600Hz <span style="float: right;">Default: 1200Hz</span> 1200Hz 2000Hz 4000Hz 6000Hz 25kHz
5	<b>SPECIFIC PIDS</b> ⇒ 8200 (RED) <span style="float: right;">White Balance</span> 8201 (Green) 8202 (Blue) 8203 (White) 8217 (Full On Mode) ⇒ 0:HB;1:Studio <span style="float: right;">Default: HB</span> 8206 (Clear Device Hours)

### 3.5 COLLEGAMENTO

Si possono collegare più unità affinché tutte le unità secondarie abbiano lo stesso effetto luce dell'unità principale (Master).

1. Collegare l'uscita DMX OUT dell'unità principale con l'ingresso DMX IN della prima unità secondaria servendosi di un cavo XLR a 5 poli.
2. Collegare l'uscita DMX OUT della prima unità secondaria con l'ingresso DMX IN della seconda unità secondaria ecc.

### 3.6 CONFIGURAZIONE INDIRIZZAMENTO DMX

Per entrare nella modalità DMX procedere nel seguente modo:

- Nel menù principale del DATAMASTER selezionare **RDM**.
- Premere il tasto ENTER per accedere al menù.
- Premere i tasti UP/DOWN per scorrere il menu, selezionare **DMX Address**, quindi premere il pulsante INVIO per accedere al menu successivo.
- Utilizzare i pulsanti UP/DOWN per impostare il valore desiderato (**001-512**). Premere il tasto ENTER per confermare.
- Premere ripetutamente il pulsante MENU per uscire dal menu e salvare le modifiche apportate.

### 3.7 CONFIGURAZIONE MODALITÀ DMX

ARCPD48Q ha 5 configurazioni di canali DMX.

- Nel menù principale del DATAMASTER selezionare **RDM**.
- Premere il tasto ENTER per accedere al menù.
- Premere i tasti UP/DOWN per scorrere il menu, selezionare **DMX Mode**, quindi premere il pulsante INVIO per accedere al menu successivo.
- Utilizzare i pulsanti freccia per impostare il valore desiderato (**5CH, 7CH, 10CH, 17CH, 22CH**). Premere il tasto ENTER per confermare.
- Premere il tasto MENU ripetutamente per uscire dal menu e salvare i cambiamenti effettuati.

Le tabelle a pagina 15, 16 e 17 indicano le modalità operative e i relativi valori DMX. Come interfaccia DMX, l'unità i connettori XLR a poli.

### 3.8 INDIRIZZAMENTO DMX

Per il funzionamento tramite un'unità di controllo della luce con protocollo DMX512, è sufficiente collegare ARCPD48Q al controller. Il proiettore ha una configurazione del canale DMX a cui è possibile accedere dal pannello di controllo. Per controllare ARCPD48Q con un'unità di controllo della luce, è necessario impostare l'indirizzo di avvio DMX per il primo canale DMX.

Se, ad esempio, sull'unità di controllo è previsto l'indirizzo 33 per controllare la funzione del primo canale DMX, l'indirizzo iniziale 33 deve essere impostato su ARCPD48Q. Le altre funzioni del pannello verranno automaticamente assegnate ai seguenti indirizzi:

Number of DMX channels	Start address (example)	DMX Address occupied	Next possible start address for unit No. 1	Next possible start address for unit No. 2	Next possible start address for unit No. 3
5	33	33-37	38	43	48
7	33	33-39	40	47	54
10	33	33-42	43	53	63
17	33	33-49	50	67	84
22	33	33-54	55	77	99

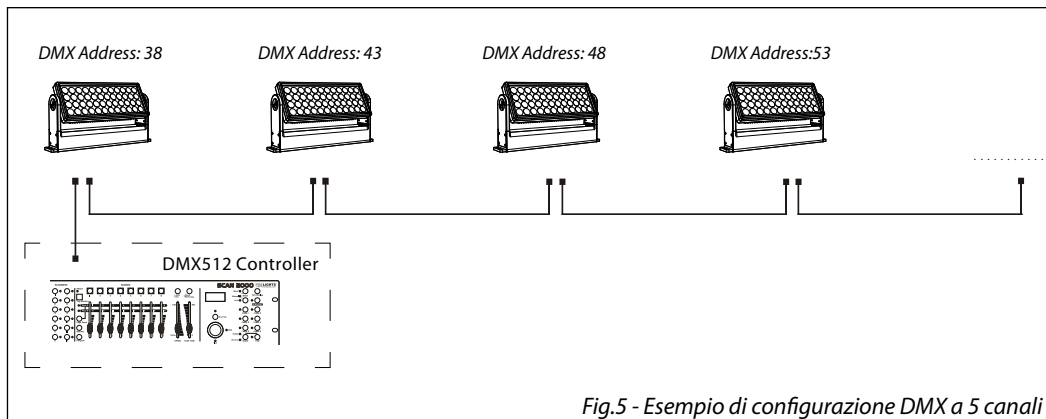


Fig.5 - Esempio di configurazione DMX a 5 canali

### 3.9 MODALITÀ DIMMER

Selezionare questa funzione per selezionare la specifica curva dimmer.

- Nel menù principale del DATAMASTER selezionare **RDM**.
- Premere il tasto ENTER per accedere al menù. Premere i tasti UP/DOWN per scorrere il menu, selezionare **Dimmer Mode**, quindi premere il pulsante ENTER per accedere al menu successivo.
- Premere il pulsante UP/DOWN per selezionare una delle impostazioni disponibili:
- **Off**: l'aumento dell'intensità della luce è lineare.
- **Dimmer 1**:: curva dimmer con fade basso.
- **Dimmer 2**: curva dimmer con fade medio.
- **Dimmer 3**: curva dimmer con fade alto.
- Quindi selezionare ENTER per confermare.
- Premere ripetutamente il pulsante MENU per uscire dal menu.

### 3.10 LED FREQUENCY

Selezionare questa funzione per regolare la frequenza del LED.

- Nel menù principale del DATAMASTER selezionare **RDM**.
- Premere il tasto ENTER per accedere al menù. Premere i tasti UP/DOWN per scorrere il menu, selezionare **LED Frequency**, quindi premere il pulsante ENTER per accedere al menu successivo.
- Premere il pulsante UP/DOWN per selezionare una delle impostazioni disponibili: 600Hz, 1200Hz, 2000Hz, 4000Hz, 6000Hz, 25kHz.
- Quindi selezionare ENTER per confermare.
- Premere ripetutamente il pulsante MENU per uscire dal menu.

### 3.11 SENSOR MENU

Per visualizzare la temperatura del dispositivo, procedere nel seguente modo.

- Nel menù principale del DATAMASTER selezionare **RDM**.
- Premere il tasto ENTER per accedere al menù.
- Premere i tasti UP/DOWN per scorrere il menu, selezionare **Sensor Menu**, quindi premere il pulsante INVIO per accedere al menu successivo che mostrerà la temperatura del dispositivo.
- Premere ripetutamente il pulsante MENU per uscire dal menu.



### 3.12 SW VERSION

Per visualizzare la versione del software del dispositivo, procedere nel seguente modo.

- Selezionare RDM nel menu principale del DATAMASTER.
- Premere il tasto ENTER per accedere al sottomenu.
- Premere i tasti UP/DOWN per scorrere il menu, selezionare **Sw Version**, quindi premere il pulsante ENTER per accedere al menu successivo che mostrerà la versione del software presente sul dispositivo.
- Premere ripetutamente il pulsante MENU per uscire dal menu..

### 3.13 UID

Per visualizzare l' UID del dispositivo, procedere nel seguente modo.

- In the main menu of the DATAMASTER select **RDM**.
- Press the ENTER button to access the main menu.
- Premere i tasti UP/DOWN per scorrere il menu, selezionare **UID**, quindi premere il pulsante INVIO per accedere al menu successivo che mostrerà l' UID presente sul dispositivo..
- Premere ripetutamente il pulsante MENU per uscire dal menu.

### 3.14 FACTORY DEFAULT

Per ripristinare il dispositivo predefinito di fabbrica, procedere come segue:

- Nel menu principale del DATAMASTER selezionare **RDM**.
- Premere il pulsante ENTER per accedere al menu principale.
- Premere il pulsante SU/GIÙ per scorrere il menu, selezionare Factory Reload, quindi premere il tasto ENTER per accedere al prossimo menù e scegliere l'opzione **Yes** o **No**.
- Premere ripetutamente il pulsante MENU per uscire dal menu e salvare le modifiche apportate.

### 3.15 MANUAL COLOR

Per entrare in questa modalità procedere nel seguente modo:

- Nel menù principale del DATAMASTER selezionare **RDM**.
- Premere il tasto ENTER per accedere al menù.
- Premere i tasti UP/DOWN per scorrere il menu, selezionare **Manual Color**, quindi premere il pulsante ENTER per accedere al menu successivo.
- Usare i tasti direzionali per impostare la miscelazione di colori desiderata (**Red, Green, Blue, White**) col relativo valore (**000-255**). Premere il tasto ENTER per confermare.
- Premere ripetutamente il pulsante MENU per uscire dal menu.

NOTA: una volta impostato la miscelazione di colori desiderata con la modalità descritta, per cambiare ciò in un secondo momento bisogna effettuare necessariamente il reset tramite la modalità Factory Reload.

### 3.16 MODALITA' EFFECTS

Per entrare in questa modalità procedere nel seguente modo:

- Nel menù principale del DATAMASTER selezionare **RDM**.
- Premere il tasto ENTER per accedere al menù.
- Premere i tasti UP/DOWN per scorrere il menu, selezionare **Effects**, quindi premere il pulsante INVIO per accedere al menu successivo.
- Usare i tasti direzionali per impostare l'effetto desiderato (**Effect1, Effect2, Effect3, Effect4, Effect5, Effect6, Effect7, Effect8, Effect9**) col relativo valore (**000-225**). Premere il tasto ENTER per confermare.
- Premere ripetutamente il pulsante MENU per uscire dal menu.

NOTA: una volta impostato l'effetto desiderato con la modalità descritta, per cambiarlo in un secondo

momento bisogna effettuare necessariamente il reset tramite la modalità Factory Reload.

### 3.17 MODALITA' FULL ON

Per entrare in questa modalità procedere nel seguente modo:

- Nel menù principale del DATAMASTER selezionare **RDM**.
- Premere il tasto ENTER per accedere al menù.
- Premere i tasti UP/DOWN per scorrere il menu, selezionare **Full on mode**, quindi premere il pulsante ENTER per accedere al menu successivo.
- Usare i tasti direzionali per selezionare la modalità **HB** (modalità High Brightness, con il valore massimo dei colori) o **Studio**, con una calibrazione automatica del bianco.. Premere il tasto ENTER per confermare.
- Premere ripetutamente il pulsante MENU per uscire dal menu.

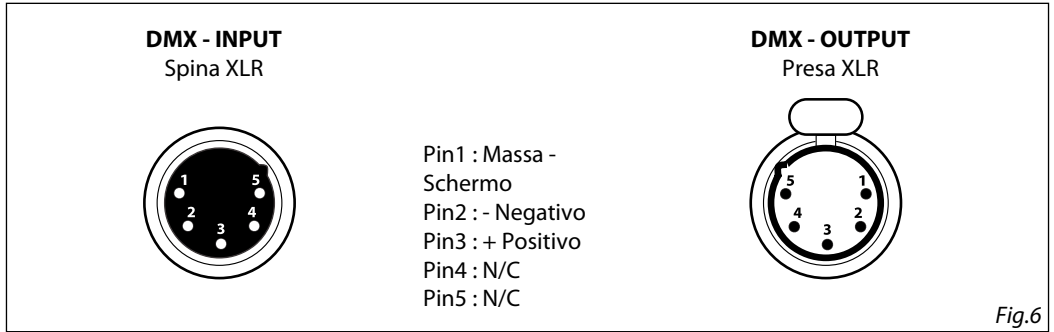
NOTA: una volta impostato l'effetto desiderato con la modalità descritta, per cambiarlo in un secondo momento bisogna effettuare necessariamente il reset tramite la modalità Factory Reload.

NOTA: se precedentemente alla ricezione del segnale DMX, il proiettore si trova in modalità Blackout e se il segnale DMX viene perso, il proiettore rimarrà acceso secondo l'ultimo valore DMX ricevuto. Se precedentemente alla ricezione del segnale DMX, il proiettore si trovava in modalità STATIC o AUTO e se il segnale DMX viene perso, il proiettore tornerà allo STATIC o AUTO precedentemente impostato.

### 3.18 COLLEGAMENTI DELLA LINEA DMX

La connessione DMX è realizzata con connettori standard XLR. Utilizzare cavi schermati, 2 poli ritorti, con impedenza  $120\Omega$  e bassa capacità.

Per il collegamento fare riferimento allo schema di connessione riportato di seguito:



#### ATTENZIONE

La parte schermata del cavo (calza) non deve mai essere collegata alla terra dell'impianto; ciò comporterebbe malfunzionamenti delle unità e dei controller.

Per passaggi lunghi può essere necessario l'inserimento di un amplificatore DMX.

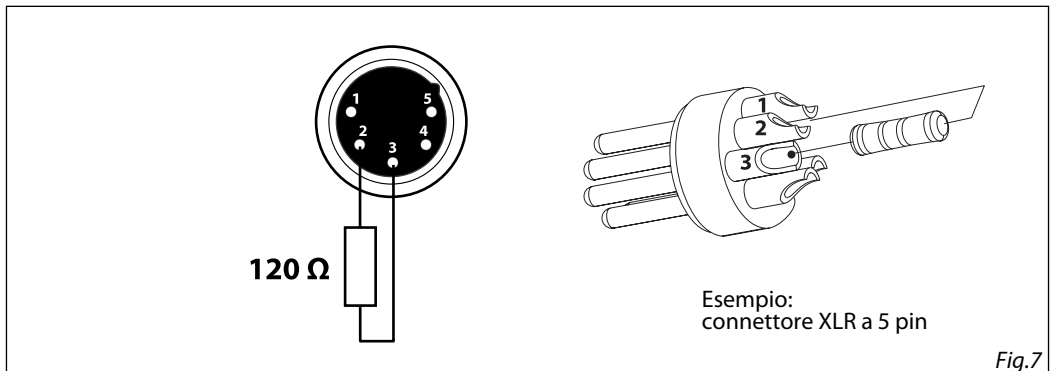
In tal caso, è sconsigliato utilizzare nei collegamenti cavo bilanciato microfonico poiché non è in grado di trasmettere in modo affidabile i dati di controllo DMX.

- Collegare l'uscita DMX del controller con l'ingresso DMX della prima unità;
- Collegare, quindi, l'uscita DMX con l'ingresso DMX della successiva unità; l'uscita di quest'ultima con l'ingresso di quella successiva e via dicendo finché tutte le unità sono collegate formando una catena.
- Per installazioni in cui il cavo di segnale deve percorrere lunghe distanze è consigliato inserire sull'ultima unità una terminazione DMX.

### 3.19 COSTRUZIONE DEL TERMINATORE DMX

La terminazione evita la probabilità che il segnale DMX 512, una volta raggiunta la fine della linea stessa venga riflesso indietro lungo il cavo, provocando, in certe condizioni e lunghezze, la sua sovrapposizione al segnale originale e la sua cancellazione.

La terminazione deve essere effettuata, sull'ultima unità della catena, con connettori XLR a 3/5 pin, saldando una resistenza di  $120\Omega$  (minimo  $1/4W$ ) tra i terminali 2 e 3, così come indicato in figura.



## 3.20 CANALI DMX

## 5 CHANNELS

MODE 5 Ch	FUNCTION	DMX Value
1	<b>RED</b> 0~100%	000 - 255
2	<b>GREEN</b> 0~100%	000 - 255
3	<b>BLUE</b> 0~100%	000 - 255
4	<b>WHITE</b> 0~100%	000 - 255
5	<b>DIMMER SPEED MODE</b> Preset dimmer speed from display menu Dimmer speed mode off Dimmer speed mode1 (fast speed) Dimmer speed mode2 (middle speed) Dimmer speed mode3 (slow speed)	000-051 052-101 102-152 153-203 204-255

## 7 CHANNELS

MODE 7 Ch	FUNCTION	DMX Value
1	<b>DIMMER</b> 0~100%	000 - 255
2	<b>RED</b> 0~100%	000 - 255
3	<b>GREEN</b> 0~100%	000 - 255
4	<b>BLUE</b> 0~100%	000 - 255
5	<b>WHITE</b> 0~100%	000 - 255
6	<b>STROBE</b> No function Strobe Slow to Fast	000 - 010 011 - 255
7	<b>DIMMER SPEED MODE</b> Preset dimmer speed from display menu Dimmer speed mode off Dimmer speed mode1 (fast speed) Dimmer speed mode2 (middle speed) Dimmer speed mode3 (slow speed)	000-051 052-101 102-152 153-203 204-255

## 10 CHANNELS

MODE 10 Ch	FUNCTION	DMX Value
1	<b>DIMMER</b> 0~100%	000 - 255
2	<b>RED</b> 0~100%	000 - 255
3	<b>GREEN</b> 0~100%	000 - 255
4	<b>BLUE</b> 0~100%	000 - 255
5	<b>WHITE</b> 0~100%	000 - 255
6	<b>STROBE</b> No function Strobe Slow to Fast	000 - 010 011 - 255
7	<b>COLOR MACRO</b> No Function R 100%, G 0~100%, B 0 % R 100%~0 %, G 100%, B 0 % R 0 %, G 100%, B 0~100% R 0 %, G 100~0 %, B 100% R 0~100%, G 0 %, B 100% R 100%, G 0 %, B 100~0 % R 100%, G 0~100%, B 0~100% R 100~0 %, G 100~0 %, B 100% R 100%, G 100%, B 100%, W 100% Color 1 Color 2 Color 3 Color 4 Color 5 Color 6 Color 7 Color 8 Color 9 Color 10 Color 11	000 - 010 011 - 030 031 - 050 051 - 070 071 - 090 091 - 110 111 - 130 131 - 150 151 - 170 171 - 200 201 - 205 206 - 210 211 - 215 216 - 220 221 - 225 226 - 230 231 - 235 236 - 240 241 - 245 246 - 250 251 - 255

## 10 CHANNELS

MODE 10 Ch	FUNCTION	DMX Value
8	<b>EFFECTS</b>	
	NO Function	000-010
	Effect 1	011-037
	Effect 2	038-064
	Effect 3	065-091
	Effect4	092-118
	Effect5 (Effects1- 4)	119-145
	Effect 6	146-172
	Effect 7	173-199
Effect 8	200-226	
Effect 9 (Effects6- 8)	227-255	
9	<b>EFFECTS SPEED</b>	
	Effects speed slow to fast	000 - 255
10	<b>DIMMER SPEED MODE</b>	
	Preset dimmer speed from display menu	000 - 051
	Dimmer speed mode off	052 - 101
	Dimmer speed mode 1 (fast speed)	102 - 152
	Dimmer speed mode 2 (middle speed)	153 - 203
Dimmer speed mode 3 (slow speed)	204 - 255	

## 17 CHANNELS

MODE 17 Ch	FUNCTION	DMX Value
1	<b>RED 1</b>	
	0~100%	000 - 255
2	<b>GREEN 1</b>	
	0~100%	000 - 255
3	<b>BLUE 1</b>	
	0~100%	000 - 255
4	<b>WHITE 1</b>	
	0~100%	000 - 255
5	<b>RED 2</b>	
	0~100%	000 - 255
6	<b>GREEN 2</b>	
	0~100%	000 - 255
7	<b>BLUE 2</b>	
	0~100%	000 - 255
8	<b>WHITE 2</b>	
	0~100%	000 - 255
9	<b>RED 3</b>	
	0~100%	000 - 255
10	<b>GREEN 3</b>	
	0~100%	000 - 255
11	<b>BLUE 3</b>	
	0~100%	000 - 255
12	<b>WHITE 3</b>	
	0~100%	000 - 255
13	<b>RED 4</b>	
	0~100%	000 - 255
14	<b>GREEN 4</b>	
	0~100%	000 - 255
15	<b>BLUE 4</b>	
	0~100%	000 - 255
16	<b>WHITE 4</b>	
	0~100%	000 - 255
17	<b>DIMMER SPEED MODE</b>	
	Preset dimmer speed from display menu	000-051
	Dimmer speed mode off	052-101
	Dimmer speed mode1 (fast speed)	102-152
	Dimmer speed mode2 (middle speed)	153-203
Dimmer speed mode3 (slow speed)	204-255	

## 22 CHANNELS

MODE 22 Ch	FUNCTION	DMX Value
1	<b>DIMMER</b> 0~100%	000 - 255
2	<b>STROBE 1</b> No function Strobe Slow to Fast	000 - 010 011 - 255
3	<b>STROBE 2</b> No function Strobe Slow to Fast	000 - 010 011 - 255
4	<b>STROBE 3</b> No function Strobe Slow to Fast	000 - 010 011 - 255
5	<b>STROBE 4</b> No function Strobe Slow to Fast	000 - 010 011 - 255
6	<b>RED 1</b> 0~100%	000 - 255
7	<b>GREEN 1</b> 0~100%	000 - 255
8	<b>BLUE 1</b> 0~100%	000 - 255
9	<b>WHITE 1</b> 0~100%	000 - 255
10	<b>RED 2</b> 0~100%	000 - 255
11	<b>GREEN 2</b> 0~100%	000 - 255
12	<b>BLUE 2</b> 0~100%	000 - 255
13	<b>WHITE 2</b> 0~100%	000 - 255
14	<b>RED 3</b> 0~100%	000 - 255
15	<b>GREEN 3</b> 0~100%	000 - 255
16	<b>BLUE 3</b> 0~100%	000 - 255
17	<b>WHITE 3</b> 0~100%	000 - 255

## 22 CHANNELS

MODE 22 Ch	FUNCTION	DMX Value
18	<b>RED 4</b> 0~100%	000 - 255
19	<b>GREEN 4</b> 0~100%	000 - 255
20	<b>BLUE 4</b> 0~100%	000 - 255
21	<b>WHITE 4</b> 0~100%	000 - 255
22	<b>DIMMER SPEED MODE</b> Preset dimmer speed from display menu Dimmer speed mode off Dimmer speed mode1 (fast speed) Dimmer speed mode2 (middle speed) Dimmer speed mode3 (slow speed)	000-051 052-101 102-152 153-203 204-255

## - 4 - MANUTENZIONE

### 4.1 MANUTENZIONE E PULIZIA DEL SISTEMA OTTICO

- Durante gli interventi, assicurarsi che l'area sotto il luogo di installazione sia libera da personale non qualificato.
- Spegnerne l'unità, scollegare il cavo di alimentazione ed aspettare finché l'unità non si sia raffreddata.
- Tutte le viti utilizzate per l'installazione dell'unità e le sue parti dovrebbero essere assicurate saldamente e non dovrebbero essere corrose.
- Alloggiamenti, elementi di fissaggio e di installazione (soffitto, truss, sospensioni) dovrebbero essere totalmente esenti da qualsiasi deformazione.
- Quando una lente ottica è visibilmente danneggiata a causa di rotture o graffi profondi, deve essere sostituita.
- I cavi di alimentazione devono essere in condizione impeccabile e dovrebbero essere sostituiti immediatamente nel momento in cui anche un piccolo problema viene rilevato.
- Al fine di proteggere l'unità da surriscaldamento, le ventole di raffreddamento (e nel caso) le aperture di ventilazione, devono essere pulite mensilmente.

Per mantenere funzionalità e rendimento ottimali per lungo tempo è indispensabile effettuare una pulizia periodica delle parti soggette all'accumulo di polveri e grassi. La frequenza con la quale effettuare le operazioni sotto indicate dipende da diversi fattori, quali la quantità di movimenti degli effetti e la qualità dell'ambiente di lavoro (umidità dell'aria, presenza di polvere, salsedine, ecc.). Per rimuovere lo sporco dal riflettore, dalle lenti e dai filtri usare un panno morbido inumidito di un qualsiasi liquido detergente per la pulizia del vetro. Annualmente si consiglia di sottoporre il proiettore a personale tecnico qualificato per una manutenzione straordinaria consistente almeno nelle seguenti operazioni:

- Pulizia generale delle parti interne.
- Ripristino della lubrificazione di tutte le parti soggette ad attrito tramite l'utilizzo di lubrificanti appropriati.
- Controllo visivo generale di componenti interni, cablaggio, parti meccaniche, ecc.
- Controlli elettrici, fotometrici e funzionali; eventuali riparazioni.

Attenzione: consigliamo che la pulizia interna sia eseguita da personale qualificato!

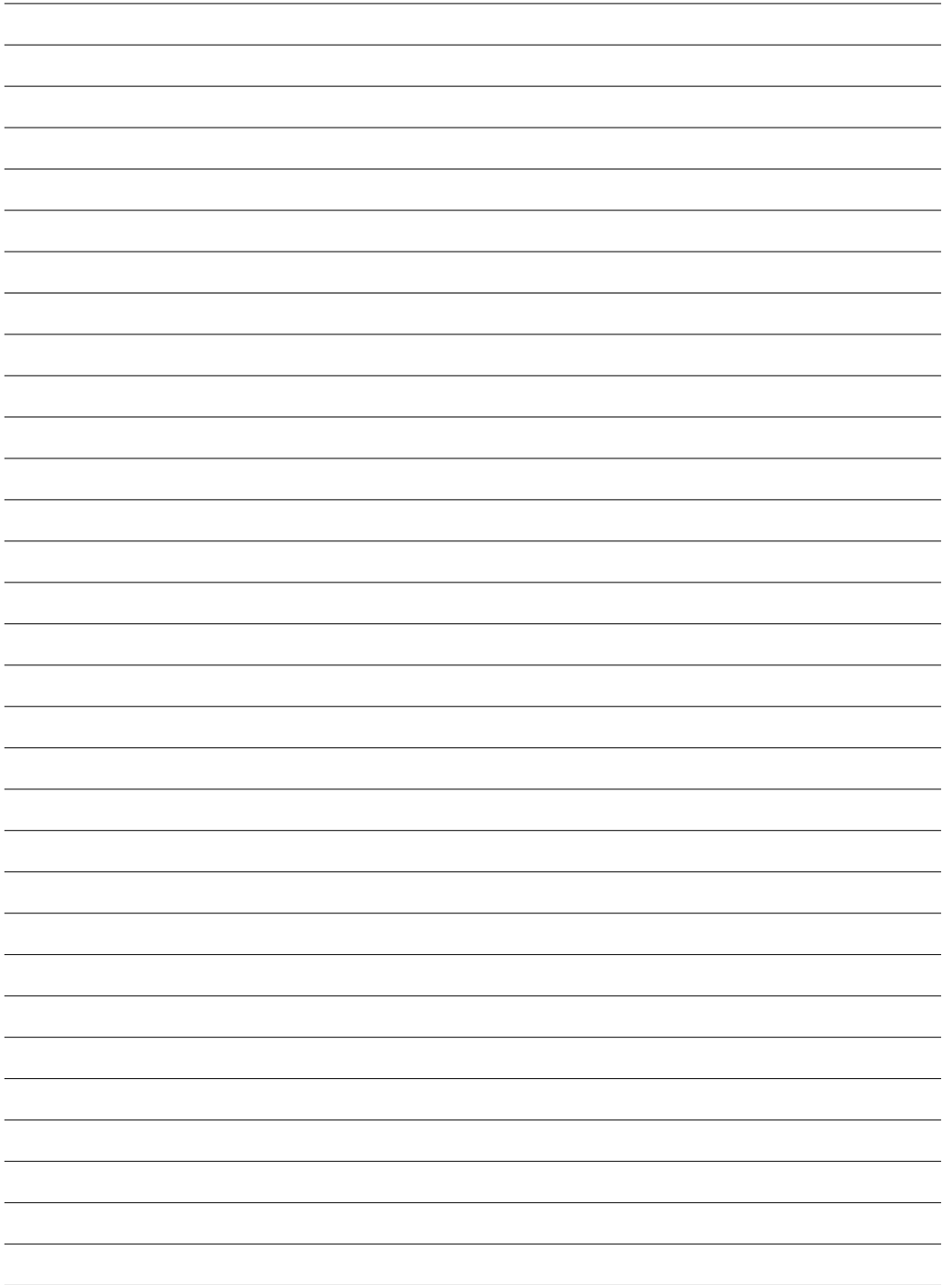
## 4.2 RISOLUZIONE DEI PROBLEMI

Anomalie	Possibili cause	Controlli e rimedi
Il proiettore non illumina	<ul style="list-style-type: none"> <li>• Mancanza di alimentazione di rete</li> <li>• Dimmer impostato a 0</li> <li>• Tutti i colori impostati a 0</li> <li>• LED difettoso/i</li> <li>• Scheda LED difettosa</li> </ul>	<ul style="list-style-type: none"> <li>• Verificare la presenza della tensione alimentazione</li> <li>• Incrementare i valori del canale dimmer</li> <li>• Incrementare i valori dei canali colori</li> <li>• Sostituire scheda LED</li> <li>• Sostituire scheda LED</li> </ul>
Bassa intensità di luce generale	<ul style="list-style-type: none"> <li>• Lenti sporche</li> <li>• Lente disallineata</li> </ul>	<ul style="list-style-type: none"> <li>• Pulire il dispositivo regolarmente</li> <li>• Installare il gruppo ottico correttamente</li> </ul>
Il proiettore non è alimentato	<ul style="list-style-type: none"> <li>• Mancanza di alimentazione di rete</li> <li>• Cavo di alimentazione danneggiato</li> <li>• Alimentatore interno difettoso</li> </ul>	<ul style="list-style-type: none"> <li>• Verificare la presenza della tensione alimentazione</li> <li>• Controllare il cavo di alimentazione</li> <li>• Sostituire l'alimentatore interno</li> </ul>
Il proiettore non risponde al DMX	<ul style="list-style-type: none"> <li>• Indirizzamento DMX errato</li> <li>• Cavo di segnale DMX difettoso</li> <li>• Rimbalzo segnale DMX</li> </ul>	<ul style="list-style-type: none"> <li>• Controllare il pannello di controllo e l'indirizzamento delle unità</li> <li>• Controllare il cavo di segnale DMX</li> <li>• Installare una terminazione DMX come suggerito</li> </ul>

Rivolgersi a un centro di assistenza tecnico autorizzato nel caso in cui il problema non sia riportato in tabella.











ARCHWORK è un brand di proprietà della Music & Lights S.r.l.

ARCHWORK is a brand of Music & Lights S.r.l. company. ©2019 Music & Lights S.r.l.