

Point source speaker, 2 ways passive, with coaxial 8" LF and 1.5" diaphragm HF.

The P8 speaker is a powerful high-technology versatile point source.

#### P8 main features

- Extremely powerful (129 dB peak) point source that can be used for FOH or monitor, with or without its companion sub the L15.
- Lightweight (12 kg / 26.5 lbs) design using custom made 15 mm Birch and Poplar bent plywood.
- Modular directivity: from the Standard 100°x100° horn to the rotating 110°x60° in a few seconds.
- Quick release Magnelis® steel grille for easy access to the horn magnetic flanges.
- Dual ultra-low distortion shaped bass port.
- Comprehensive range of versatile, accessories for deploying the P8 in a wide variety of applications for both touring and fixed installation.

**NEXO**

nexo-sa.com

NEXO has always been well-known for its compact and very powerful versatile point source speakers, ideal in both FOH and wedge application.

This expertise is now applied to the P8, featuring a new extremely powerful coaxial 8" speaker and lots of innovation, making it unique in its category.

#### Advanced NEXO technology included

The P8 enclosure uses a 15 mm custom made bent plywood shell, with poplar veneer for the inside layers and birch on the outside. The result is a robust enclosure with exceptionally good sound quality and light weight.

The bass-reflex tuning is done through two computer optimized shaped port which guarantee ultra-low distortion even at very high level.

Two large comfortable handles on each side (on *Touring* version only) hold a 35 mm pole stand adapter and a Speakon® connector for discrete connection when on pole stand or in wedge monitor mode.

The back plate holds two other Speakon® connectors.

The Installation version has a cable gland with a 2 core cable for audio input ensuring IP54 protection.

The custom-designed coaxial driver with a 2.5" voice coil for the 8" LF driver and a 1.5" diaphragm for the HF motor is the heart of the P8 and responsible both for its smooth, clean sound and impressive power.

The cooling system of the LF driver has been carefully designed to ensure outstanding power handling for a speaker in this category.

#### One box fits all applications

Thanks to its fully symmetric design, there is no left or right version of the P8 and all speakers in inventory can be the same.

To match even more precisely every possible application the directivity of the P8 can be changed in seconds through the addition of an optional magnetic horn.

As standard, the P8 uses a 100°x100° horn, but the front steel grille can be quickly removed without tools (on *Touring* version only) and the optional rotatable 110°x60° horn can be fitted to change the dispersion characteristics of the P8.

For each horn a dedicated setup is available on the NXAMP powered controller to ensure perfect coverage at any frequency.

P8 acoustic phase response is NEXO phase signature allowing inter-operability between all NEXO speakers at all crossover points, except for the monitor setups where latency is minimized.



Grille removed, an optional magnetic horn can be quickly fitted to change directivity from 100°x100° to 110°x60°

NEXO is one of the world's leading sound reinforcement loudspeaker manufacturers. Founded in 1979, the company is dedicated to crafting practical solutions with solid engineering. Each new design begins with a proprietary sophisticated computer simulation process that allows every parameter to be extensively modeled and simulated, leading to breakthrough cost and performance gains. NEXO's comprehensive product line includes loudspeakers, analogue and digital control electronics and amplification; all designed to deliver consistent sound quality and long term reliability for a broad range of applications.

### P8 WITH NEXO PROCESSING

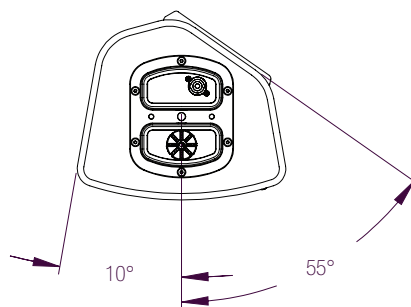
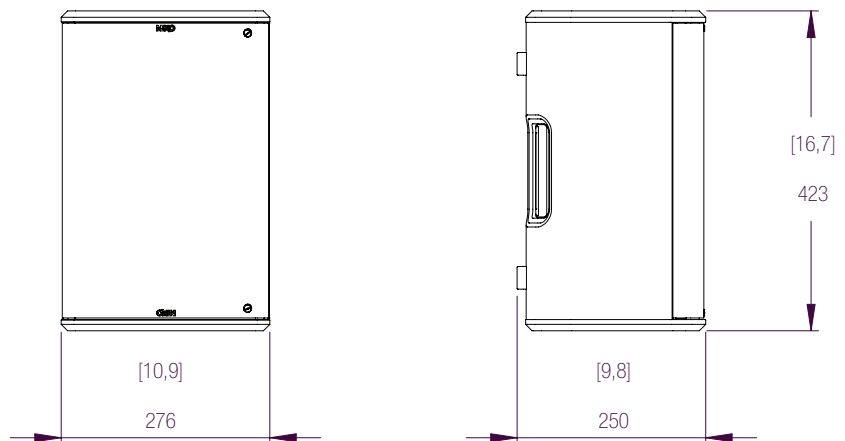
Frequency Response @-6 dB	66 Hz to 20 kHz
Peak SPL@1m	129 dB Peak
Operating Voltage	40 Vrms (105 Vpeak)
HF Dispersion (according to horn)	100° x 100° (Default) - 110° x 60° (with 110 x 60 optionnal horn)
Crossover Frequency	66 Hz, 85 Hz
Nominal Impedance	8 Ω

### PRODUCT FEATURES

Components	1 x Coaxial LF 8" 8 Ohms long excursion & Neodymium HF 1.5" 8 Ohms
Number of ways	2 ways passive
Connectors (Touring version)	4 x NL4, 4 poles connectors (1 per handle + 2 at the back)
Connectors (Install version)	1 x Cable gland with 2 cores cable
Rigging points	1 x universal accessory fit on each side + 1 x on the bottom
Material	Custom made bent plywood of baltic birch and poplar
Finish	Black or White structural paint
Front Finish (Touring version)	Magnelis® steel front grille + back mesh
Front Finish (Install version)	UV resistant acoustic fabric fitted front gril
Height x Width x Depth	423 mm x 276 mm x 250 mm (16.7" x 10.9" x 9.8")
Weight: Net	12 kg (26.5 lbs)
Operating temperature range	0°C - 40 °C (32° F - 104° F)
Storage temperature range	-20 °C - 60 °C (-4 ° F - 140° F)

### SYSTEM OPERATION

Recommended powering solution	NXAMP4x1mk2 Powered TDcontroller: up to 2 x P8 per channel
Optional powering solution	DTDcontroller + DTDAMP4x1.3 : up to 2 x P8 per channel
	NXAMP4x2mk2 Powered TDcontroller: up to 3 x P8 per channel
	NXAMP4x4mk2 Powered TDcontroller: up to 4 x P8 per channel



NEXO S.A.  
 Parc d'Activité  
 du Pré de la Dame Jeanne  
 B.P. 5  
 60128 PLAILLY  
 Tel: +33 (0) 3 44 99 00 70  
 Fax: +33 (0) 3 44 99 00 30  
 e-mail: info@nexo.fr

### LIMITED WARRANTY

NEXO loudspeakers and electronics are covered against defects in workmanship or materials for a period of five (5) years from the original date of purchase. At the option of NEXO the defective item will be repaired/replaced with no charge for materials/labour. The item is to be adequately packaged and dispatched, pre-paid, to a NEXO authorised distributor/service centre. Unauthorised repair shall void the warranty. The NEXO warranty does not cover cosmetics or finish and does not apply to any items which in NEXO's opinion have failed due to used abuse, accidents, modifications or any type of misuse. All images and text herein are the property of NEXO SA, and deemed accurate, although specifications are subject to change without notice.