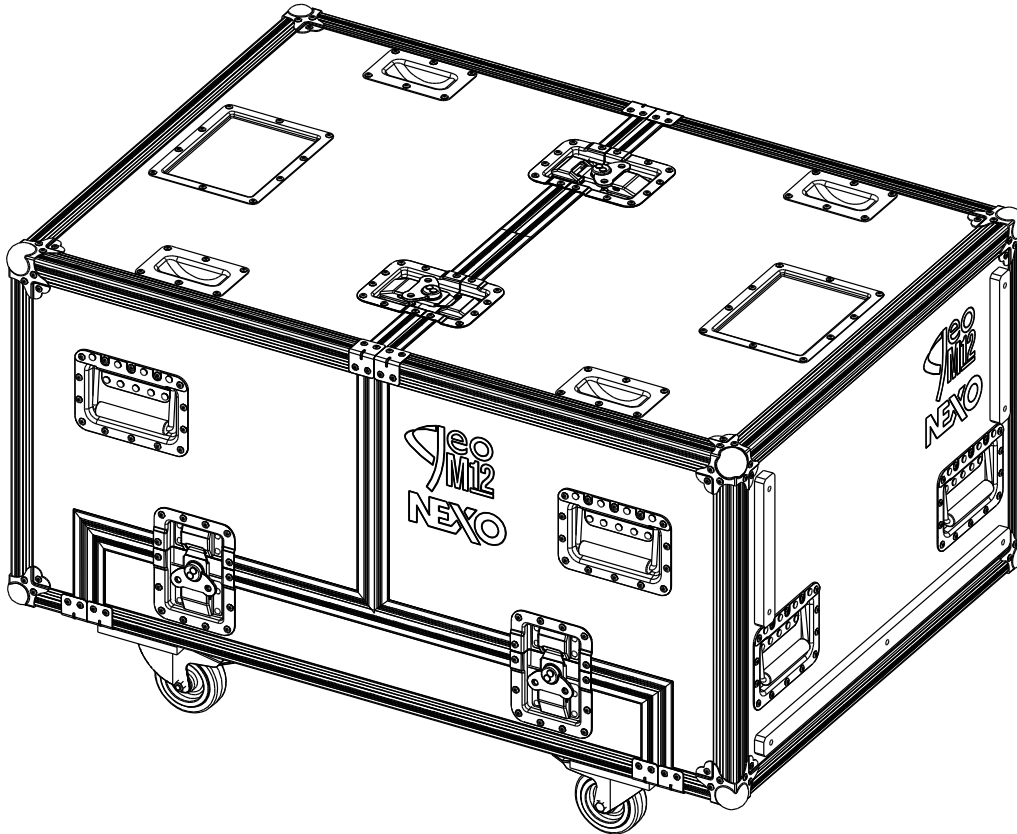
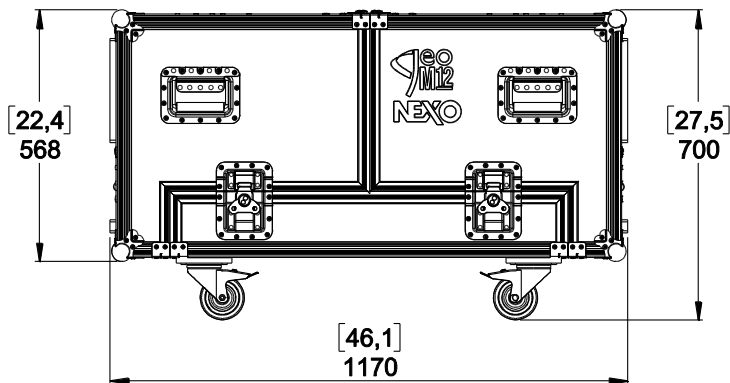
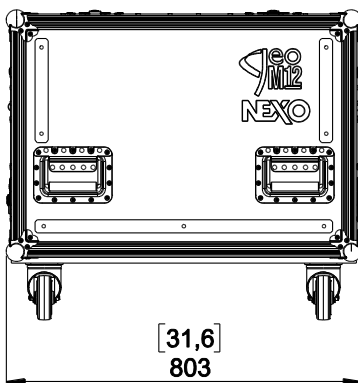


Flight case for 3x GEOM12



Dimensions:



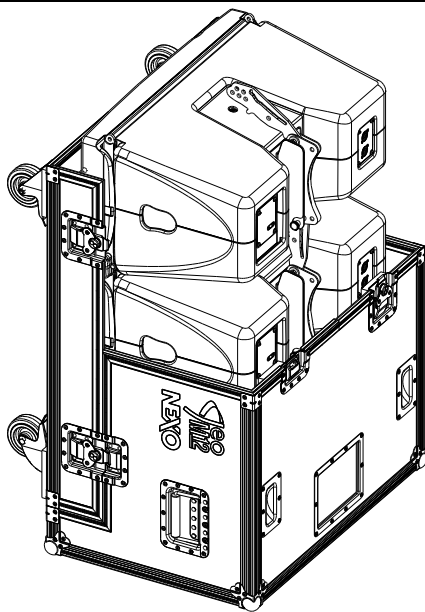
Weight: 56 kg / 123 lb

Use:

- Put back up the flight
- Open the 'L' cover
- Mounting the Bumper (GMT-LBUMPM12 / VNI/VNT-BUMPM12) and if necessary the extension bar (GMT-EXBARM12L / VNT-EXBARM12)

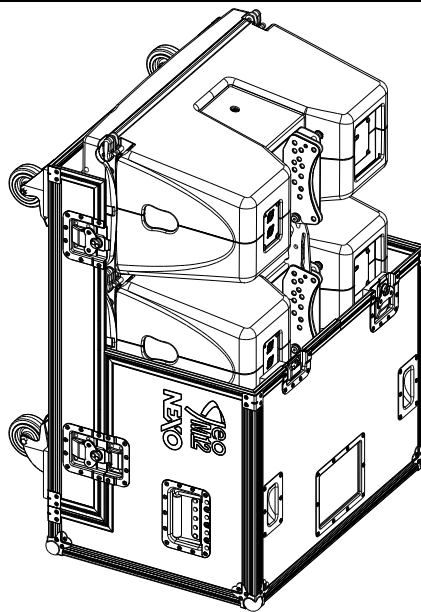
HF on the left

- Take out GEOM12 link bar;
Place the Bumper;
Front: lock with quick release pins;
Adjust the angle with the Bumper link bar;

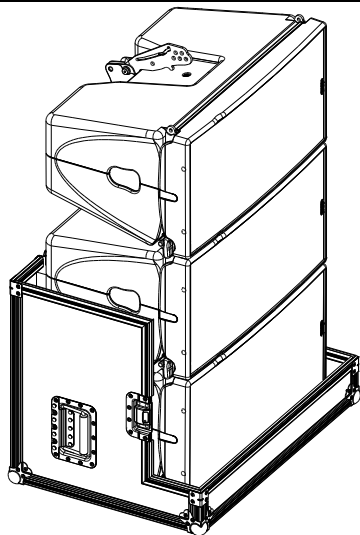


HF on the right

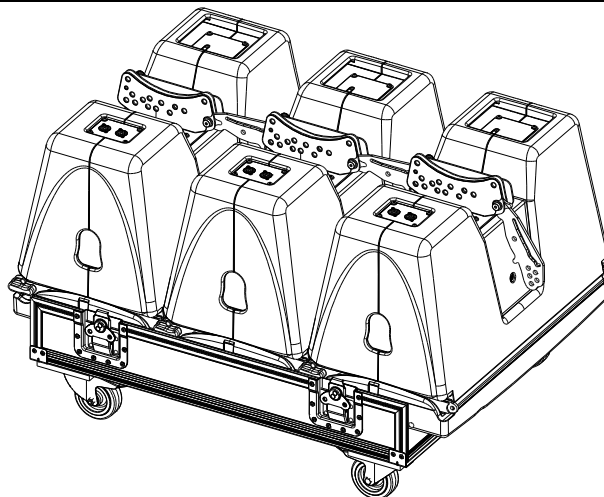
- AutoRig™ in Autolock™ status;
Place the Bumper;
Check that it is properly engaged;
Adjust the angle with Bumper link bar;



Remove the wheel board to change the flanges



Easy access to the connectors



- NEXO cannot accept responsibility for accidents caused by any factor other than defects in this product itself.
- Please check the web site nexo-sa.com for the latest update.



nexo-sa.com
ZA du Pre de la Dame Jeanne
60128 PLAILLY - France

- Read this document before using.
- Keep this document.
- Observe all warnings and cautions.

