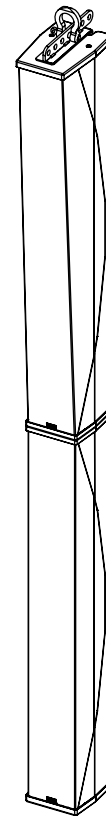
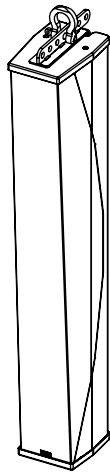


LiftBar for ID84 / ID84L



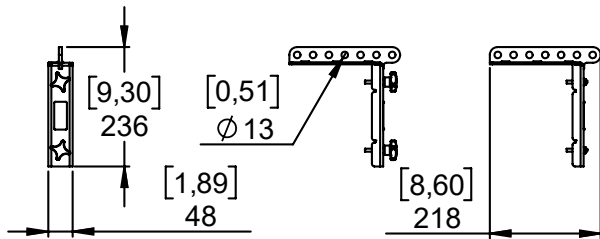
With IDU-COUPL

Contents:

X1 	X1 	X2 	X2 M6 	X2 M6x35 	X2 M6
---------------	---------------	---------------	---------------------	------------------------	---------------------

Weight: 1.2 kg / 2.7 lb

Dimensions:



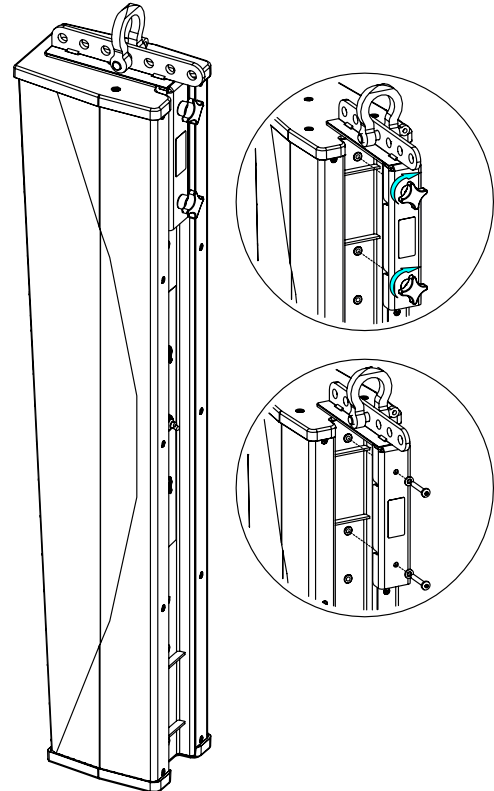
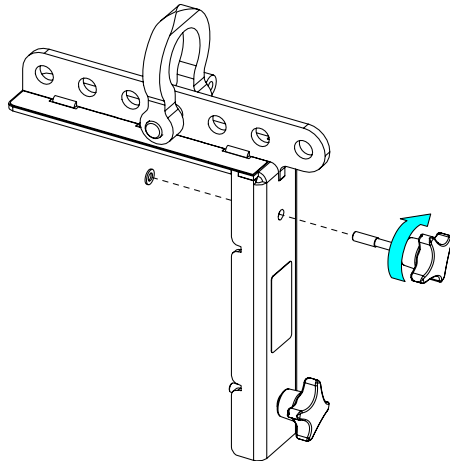
Rated for a maximum of 2x ID84L + 2x ID84

For permanent installation, use the provided thread lock coated screws.

Use:

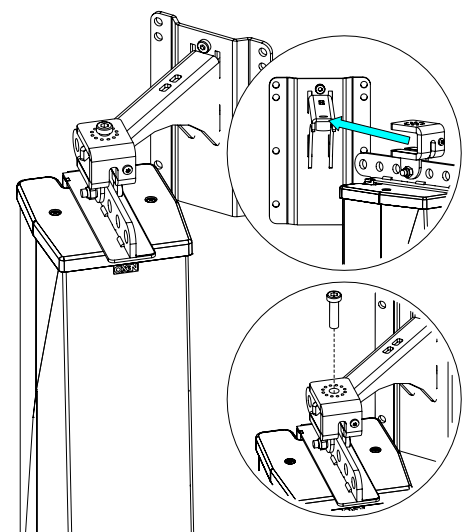
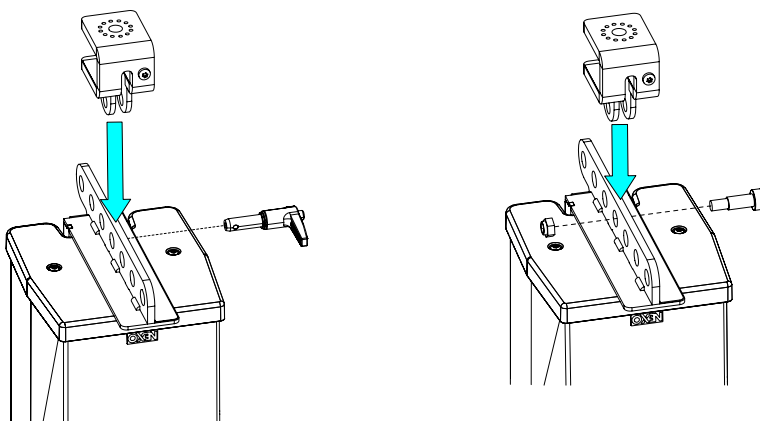
For Touring use, place the knob through the part and screw the washer on it.

Tight properly on ID84



Use with VNT-LIFTADAPT (Truss Clamp Adaptor).

Use with VNI-WMADAPT and VNI-WM200



- NEXO cannot accept responsibility for accidents caused by any factor other than defects in this product itself.
- Please check the web site nexo-sa.com for the latest update.

NEXO

nexo-sa.com
ZA du Pre de la Dame Jeanne
60128 PLAILLY - France

- Read this document before using.
- Keep this document.
- Observe all warnings and cautions.

