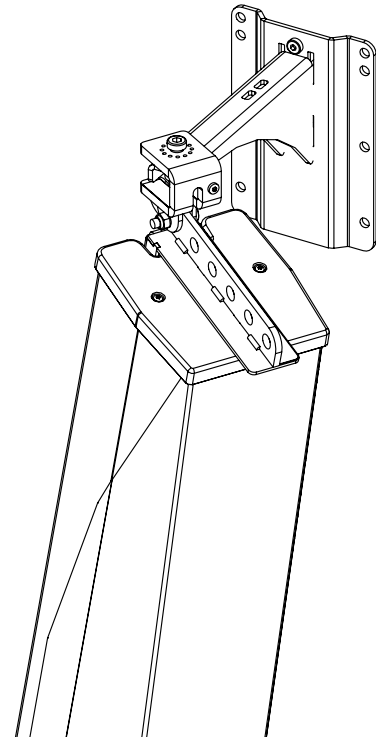
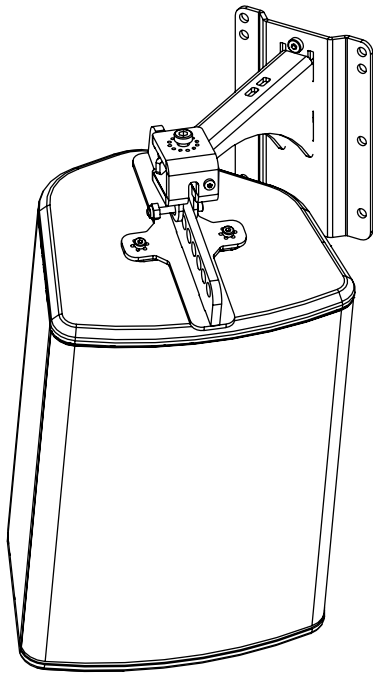
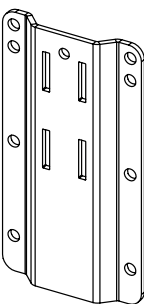
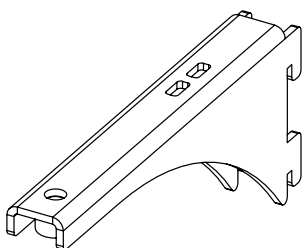
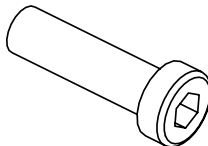
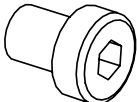


WallMount 200mm



Contents:

<p>X1</p> 	<p>X1</p> 	<p>X1 M10 x 35</p> 	<p>X1 M8 x 10</p> 
---	---	---	---

Weight: 1.6 kg / 3.5 lb

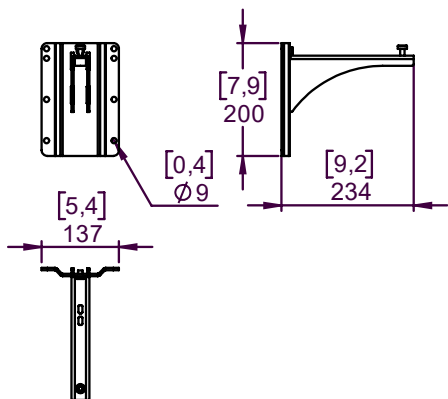


nexo-sa.com
ZA du Pre de la Dame Jeanne
60128 PLAILLY - France

- Read this document before using.
- Keep this document.
- Observe all warnings and cautions.



Dimensions:



Safety Notes:

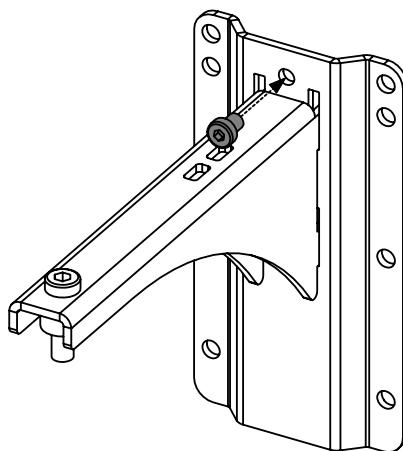
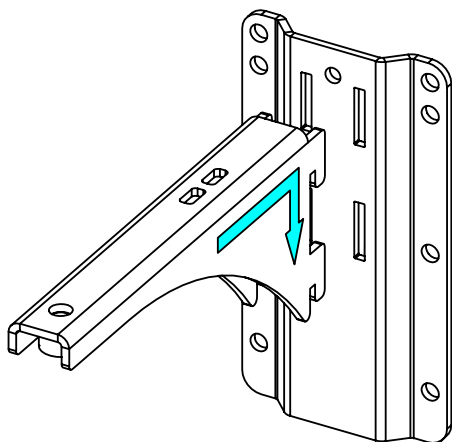
Please, select screws and mounting location supporting 4 times the system weight.

Inspect bolted assemblies periodically.

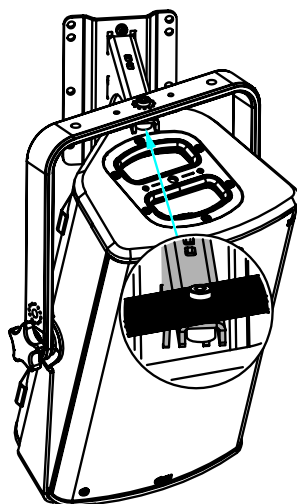
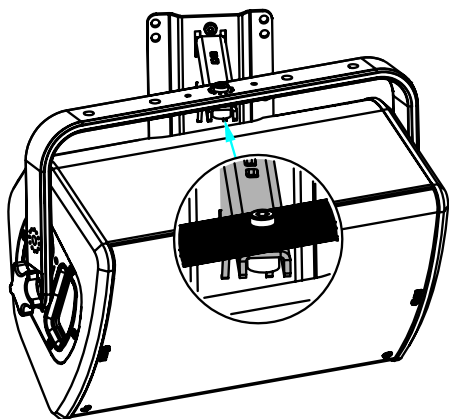
Use:

Mount the wall plate. Place the arm in the wall plate.

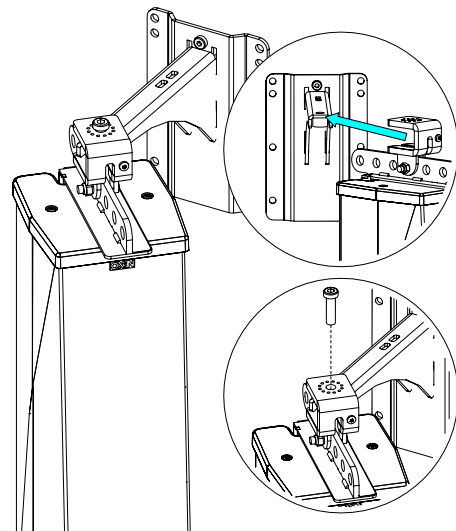
Lock with the provided screw.



With P+ serie / HBRK or VBRK



With ID84 / BUMP / WMADAPT



- NEXO cannot accept responsibility for accidents caused by any factor other than defects in this product itself.
- Please check the web site nexo-sa.com for the latest update.

NEXO

nexo-sa.com

ZA du Pre de la Dame Jeanne
60128 PLAILLY - France

- Read this document before using.
- Keep this document.
- Observe all warnings and cautions.

