

Ark 416MP

Column loudspeaker module, 2.5 ways 450W AES, 129 dB SPL.

ORDER CODE: **ARK416MP**



Passive 2.5-way 450 W AES column loudspeaker module, 129 dB SPL.

MAIN FEATURES

- Low frequency: 4x6" Nd woofer/1.5" v.c.
- High frequency: 1" Nd driver / 1.7" v.c.
- Frequency response: 80-18000 Hz (± 3 dB)
- Cover angle HxV:90°x50°
- Combined with the ARK15SA subwoofer
- Configurable up to two superimposed units
- Optional transport and fixing accessories

TECHNICAL SPECIFICATION

LOUDSPEAKER

- System type: 2.5 way passive column module

COMPONENTS

- Low frequency: 4x6" neodymium woofer / 1.5" v.c.
- High frequency: 1" neodymium driver / 1.7" v.c.

FEATURES

- AES/program power: 450/900W
- SPL max: 129dB @1m (free field)

ACOUSTICAL SPECIFICATIONS

- Sensitivity: 98dB @1W/1m (free field)
- Impedance: 8 Ohm
- SPL cont/peak: 123/129dB @1m (free field)
- Frequency response: 80-18000Hz (± 3 dB)
- Coverage angle HxV: 90x50°
- Cross over frequency: 1600Hz passive
- Suggest LPF range: 120/150Hz
- Recommended amplifier up to: 900W /8Ohm

INPUT/OUTPUT CONNECTORS

- Input signal: Phoenix - NL4 IN/OUT

CABINET CONSTRUCTION

- Cabinet material: 12 mm birchplywood
- Suspension system: Under: 35 mm mounting pole - Up: M20 screw

PHYSICAL

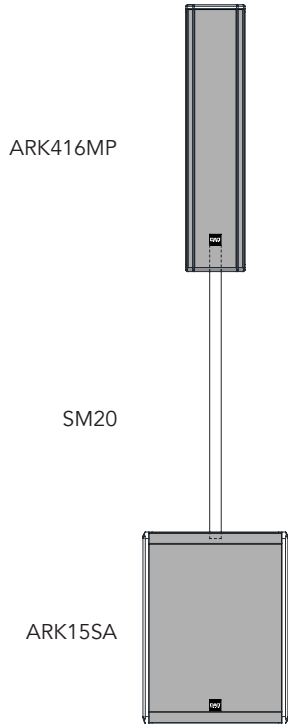
- Dimensions (WxHxD): 180x813x255 mm
- Weight: 13.6 kg

ACCESSORIES & RELATED PRODUCTS

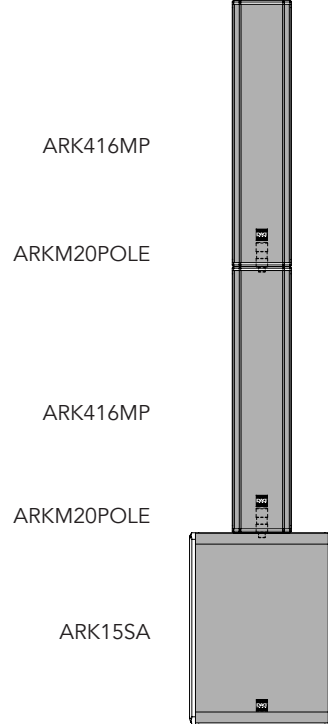
- | | | | |
|--------------|--|---------------|---|
| ▪ ARKUB1 | Optional bracket for ARK426A, ARK216A, ARK416MP | ▪ BAGARK416MP | Reinforced nylon bag for the protection/transport of one piece of ARK416MP |
| ▪ ARKM20POLE | Aluminum cylinder with M20 screw for ARK426A, ARK416MP, ARK216A | ▪ RSR0630B | Steel security cable for hanging bodies, inox steel shackle, L=60 cm, black |
| ▪ SM2040 | Fixed speaker pole, H.40 cm - 35mm, with M20 screw, 60kg max | | |
| ▪ SM20 | Adjustable speaker pole, H.88.5-133.5cm - 35mm, with M20 screw, 60kg max | | |

CONFIGURATIONS AVAILABLE

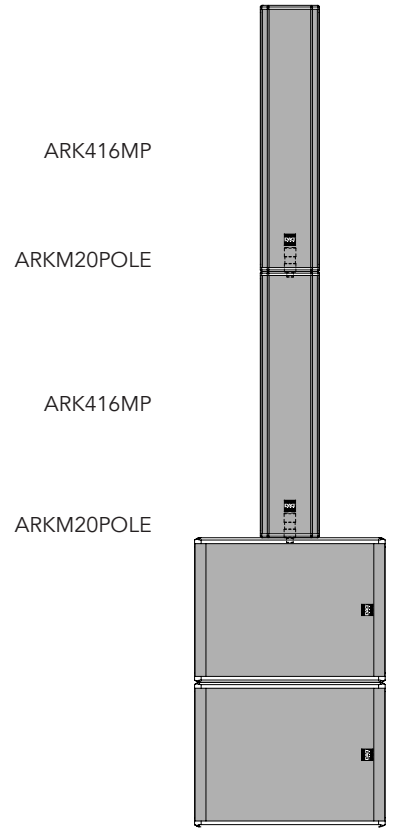
ARKBASIC1



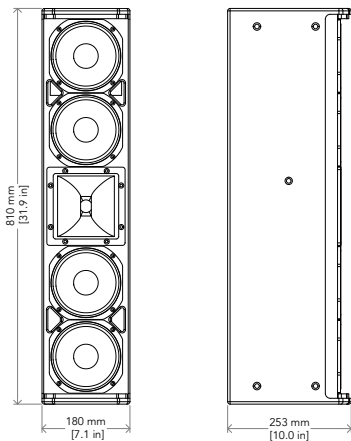
ARKBASIC2



ARKEXTENDED



TECHICAL DRAWINGS



For more product info and downloads visit our website

