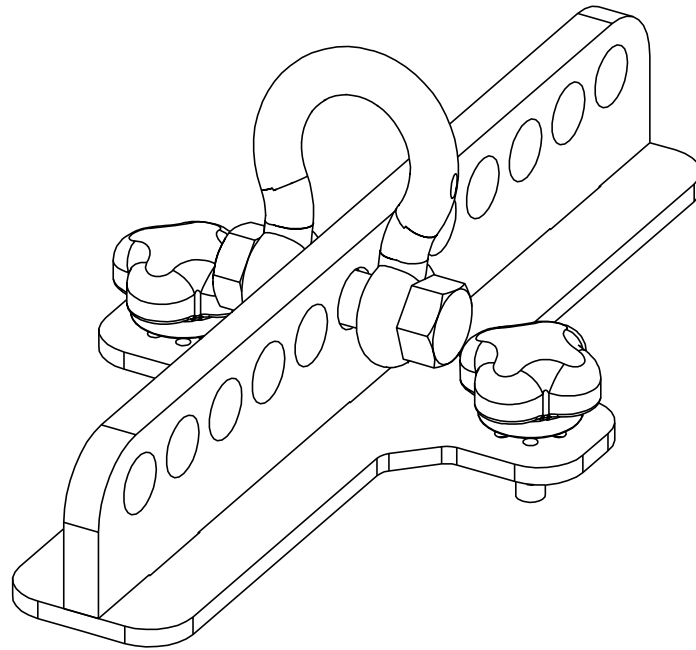
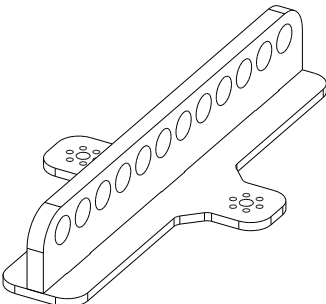
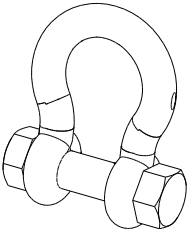
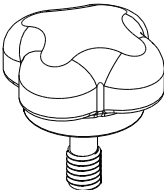
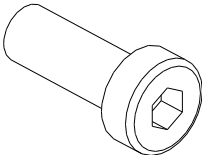


## LiftBar for PLUS series

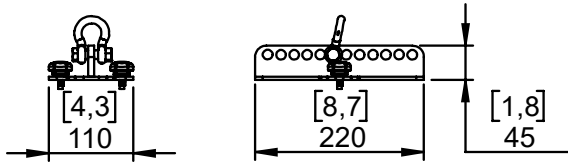


### Contents:

<p>X1</p> 	<p>X1</p> 	<p>X2</p> 	<p>X2</p> 
--	---	--	---

Weight: 1 kg / 2.2 lb

**Dimensions:**



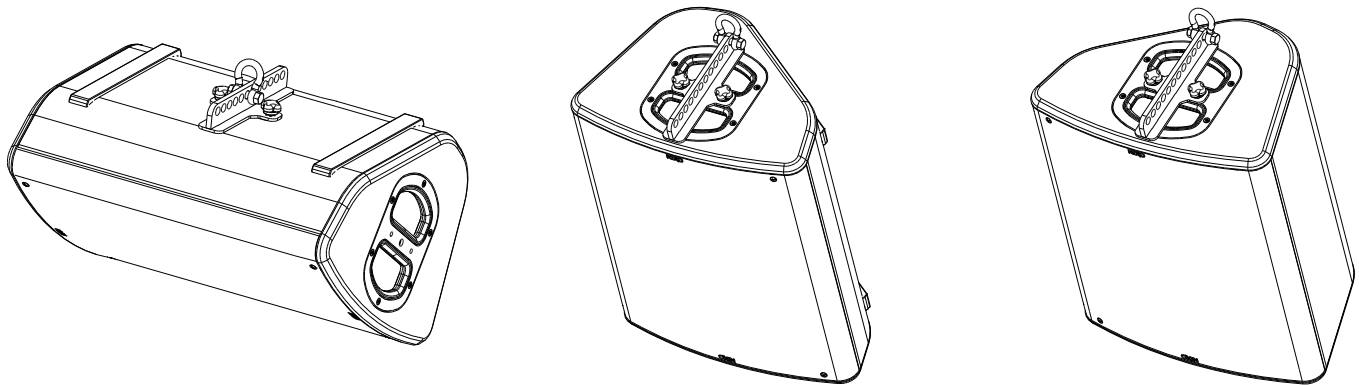
**Warning**

**Use shackle model: Alloy Bolt Type Shackle 1 tons**

**Use:**

For fixed installation, only use the provided screws (thread lock coated).	For Touring, only use the provided shackle.

**Operating locations:**



**Angles available (+/- 1°)**

Hole from the front of the cabinet		1	2	3	4	5	6	7	8	9	10	11	12
<b>+P8</b>	H Position	-10	-15	-21	-29	-37	-46	-52	-59	-65	-72	-77	-81
	V Position	+24	+21	+17	+13	+9	+5	0	-3	-8	-12	-17	-21
<b>+P10</b>	H Position	-16	-11	-17	-21	-29	-34	-41	-47	-54	-60	-66	-70
	V Position	+19	+15	+11	+7	+5	0	-2	-6	-10	-14	-18	-21
<b>+P12</b>	H Position	-8	-12	-17	-23	-28	-33	-39	-46	-51	-57	-63	-68
	V Position	+20	+17	+13	+10	+6	+3	0	-4	-7	-11	-14	-17
<b>+P15</b>	H Position	-11	-15	-20	-25	-29	-36	-41	-47	-53	-58	-62	-68
	V Position	+17	+15	+13	+10	+7	+4	0	-2	-6	-8	-12	-15

- NEXO cannot accept responsibility for accidents caused by any factor other than defects in this product itself.
- Please check the web site [nexo-sa.com](http://nexo-sa.com) for the latest update.



nexo-sa.com  
 ZA du Pre de la Dame Jeanne  
 60128 PLAILLY - France

- Read this document before using.
- Keep this document.
- Observe all warnings and cautions.

