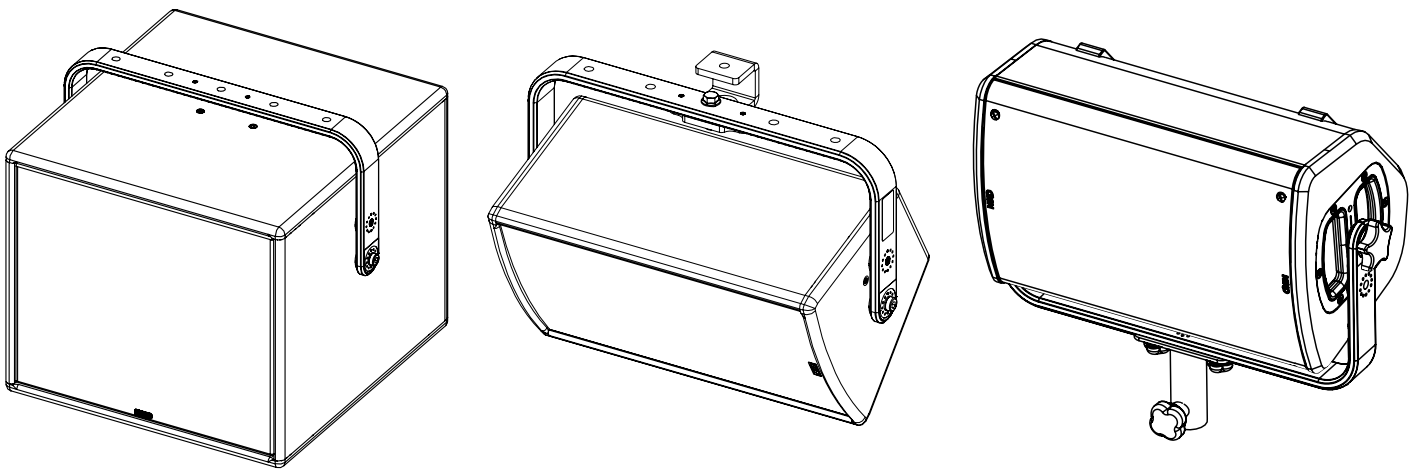
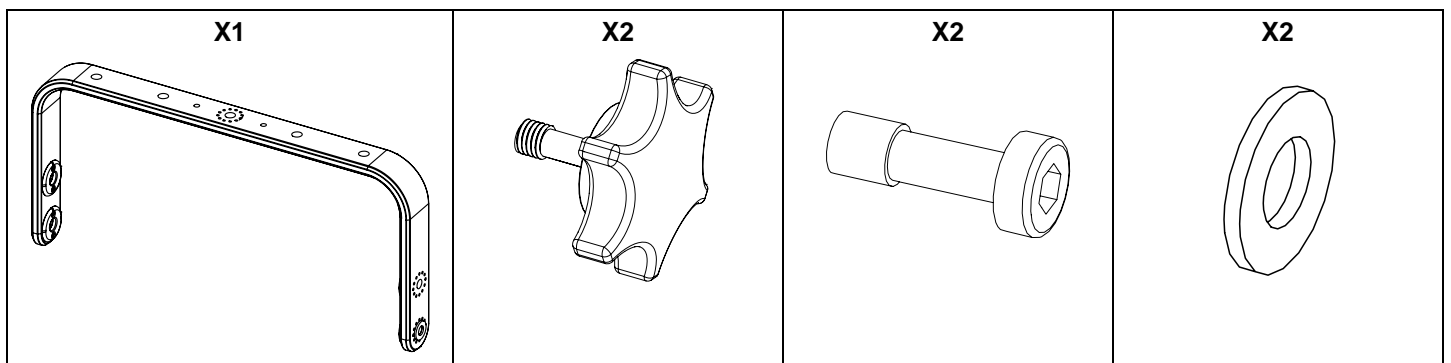


## Horizontal bracket 425mm

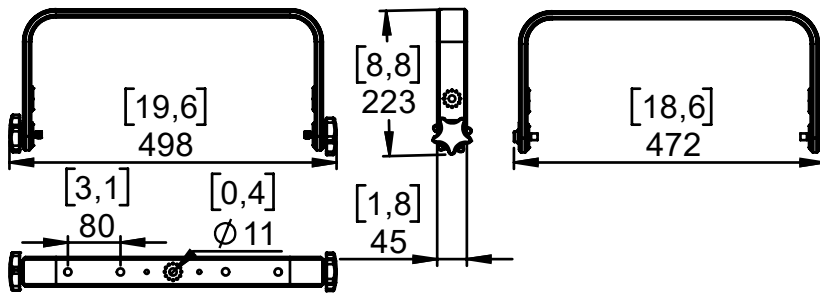


### Contents:



Weight: 1.2 kg / 2.6 lb

## Dimensions:



## Safety

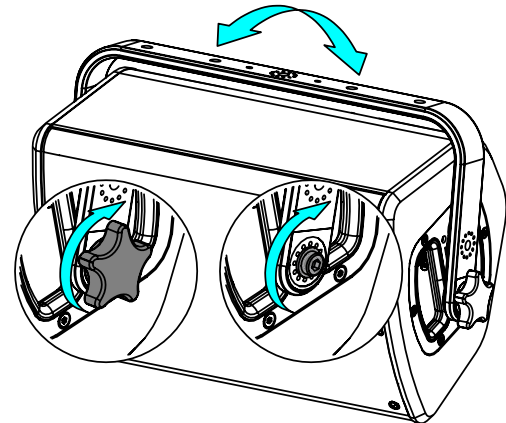
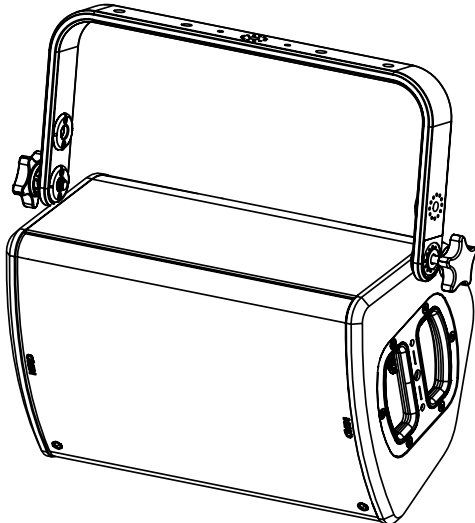
For permanent installation, use the provided thread lock coated screws.

Please, select screws and mounting location supporting 4 times the system weight.

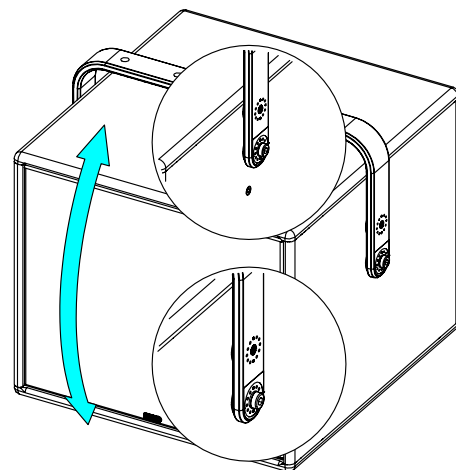
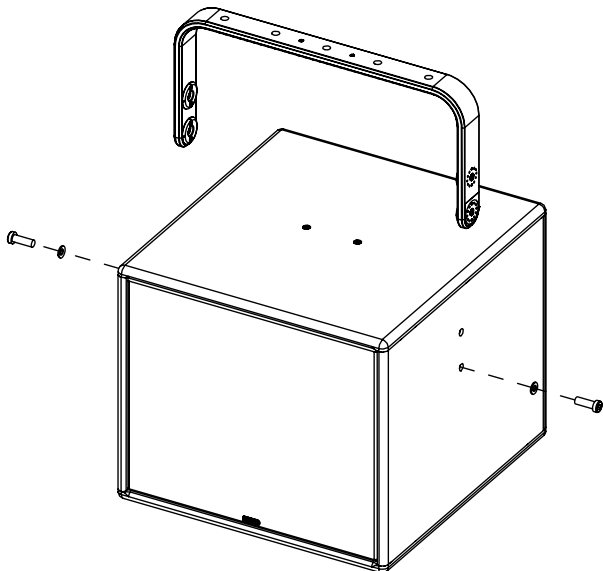
Inspect bolted assemblies periodically.

## Use:

Place HBRK425 on P8 or ePS8, use only fasteners provided. Tight properly.



Place HBRK425 on eLS400 (2 positions), use only fasteners provided. Tight properly.



Usable with VNI-CLADAPT / VNI-WMxxx / VNU-PLADAPT

- NEXO cannot accept responsibility for accidents caused by any factor other than defects in this product itself.
- Please check the web site [nexo-sa.com](http://nexo-sa.com) for the latest update.

# NEXO

nexo-sa.com  
ZA du Pre de la Dame Jeanne  
60128 PLAILLY - France

- Read this document before using.
- Keep this document.
- Observe all warnings and cautions.

